

TEMPLATE NO.

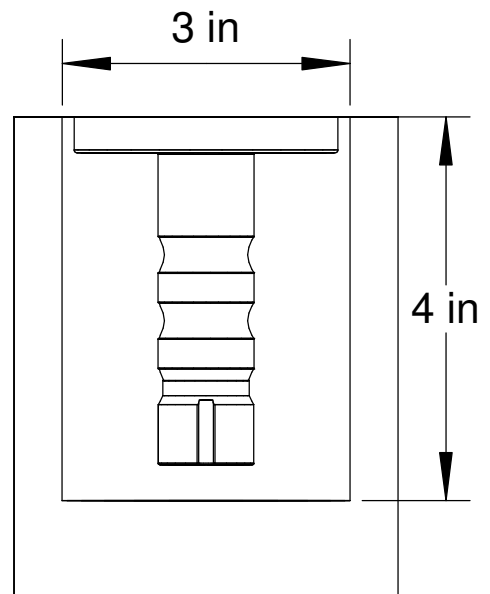
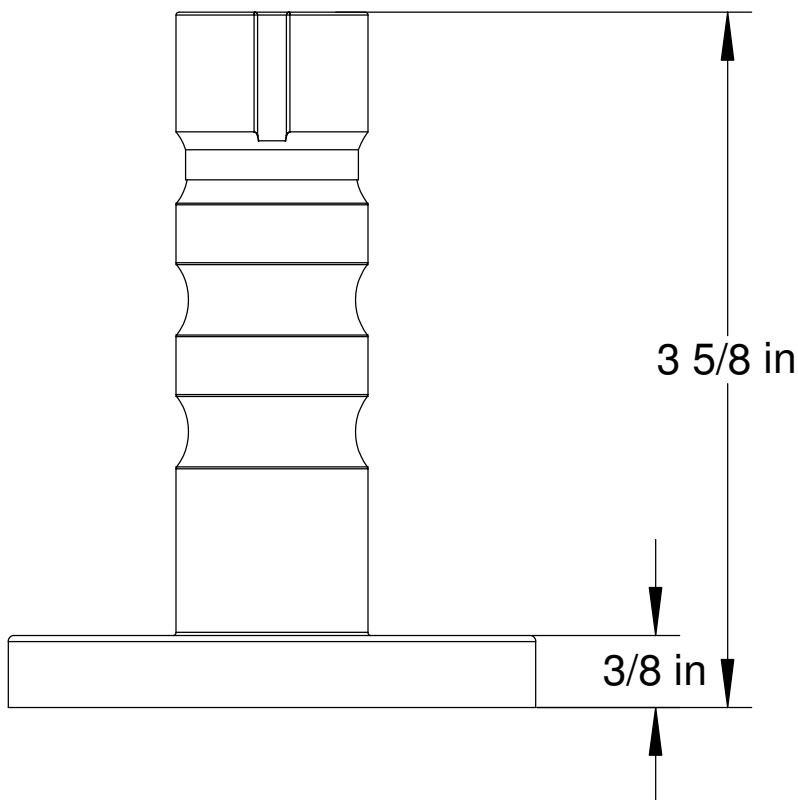
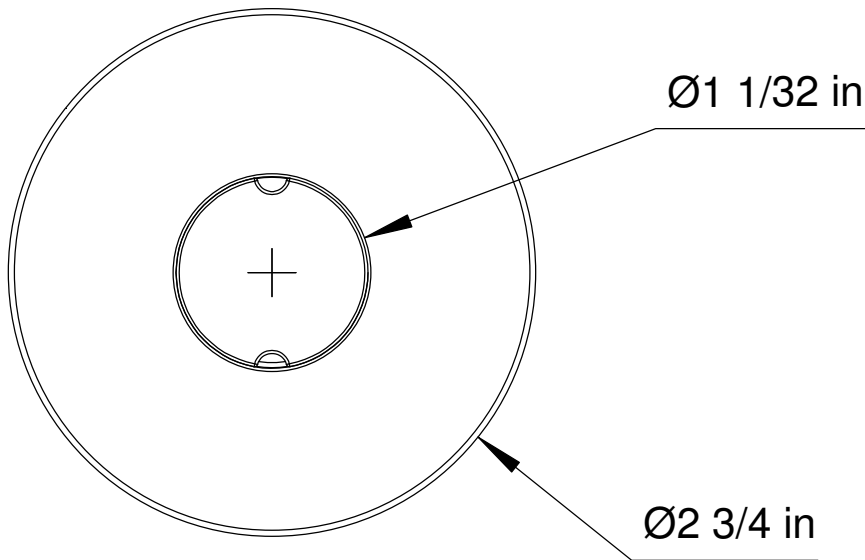
17059



3825 Emery Street  
PO Box 23277  
Los Angeles, CA 90023-0277  
(323) 262-4191  
www.trimcobbw.com

PRODUCT

1268CK



**INSTALLATION:**

1. CORE A 3" HOLE IN CONCRETE 4" DEEP.
2. FILL WITH QUICK DRYING CEMENT OR EPOXY.
3. PUSH ANCHOR PLATE IN HOLE UNTIL TOP OF 2-3/4" DIAMETER PLATE IS FLUSH WITH SURFACE OF FLOOR.

**NOTE:** This template is provided for use only on the job for which it was requested. Trimco reserves the right to make design changes without notice. Trimco will not be responsible for errors or damage caused by the use of out-of-date templates.

**DATE**

4/5/04