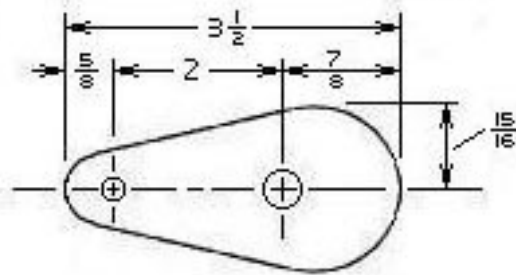
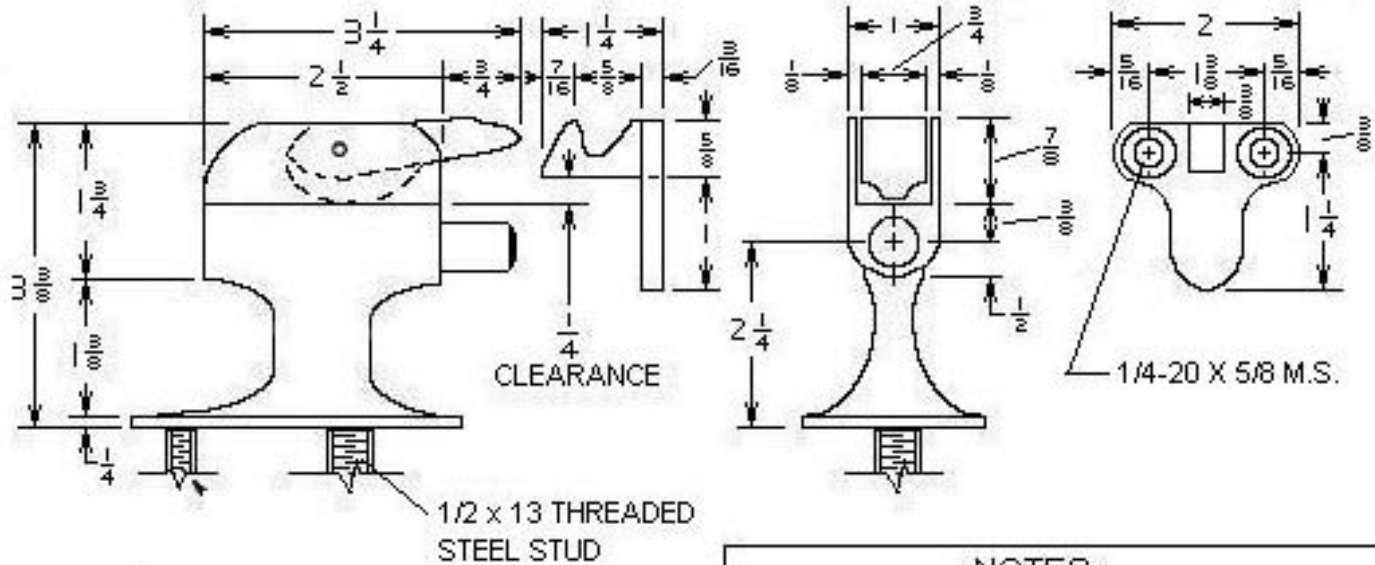


A REVISED: 1 - 16 - 87

B REVISED: 8 - 22 - 95



NOTES:

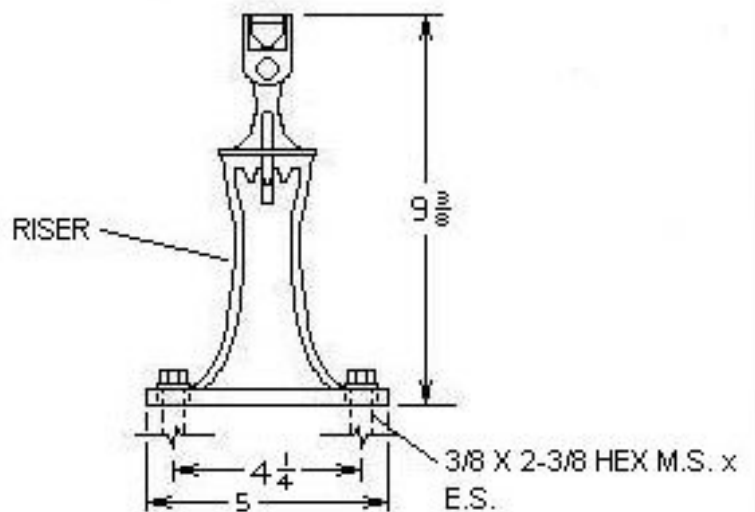
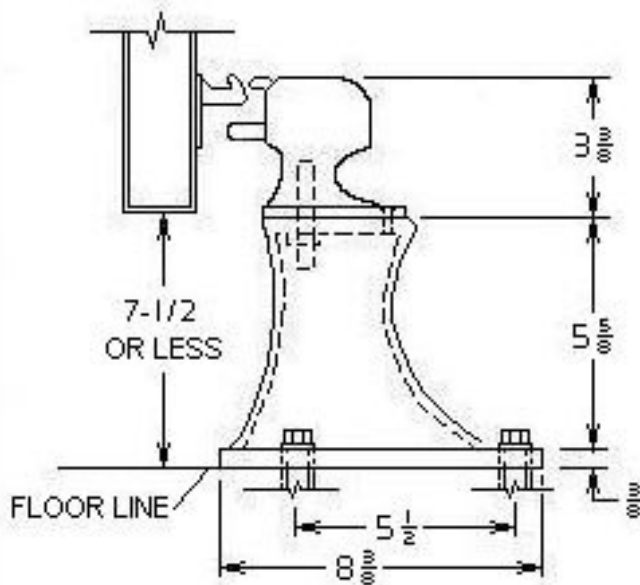
FOR 1/2-13 THREADED STEEL STUD, DRILL 7/8" DIAMETER HOLE X 2-3/4" DEEP FOR EXP. SHIELD.

FOR 1/4-20 X 1-3/4" FLAT HEAD M/S DRILL 1/2" DIA. HOLE X 1-3/4" DEEP FOR STAR 8015 D.B.L. EXPANSION SHIELD.

FOR STRIKE, USE 2-1/4-20 X 5/8" M/S FOR METAL DOORS.

FOR STRIKE, USE TWO #14 X 1-1/4" FLAT HEAD SMS FOR WOOD DOORS.

FOR RISER USE 3/8 X 2-3/8" HEX M/S FOR EXPANSION SHIELD



NOTE: 1257 WITH RISER IS NOT DRAWN IN SCALE

DWG NO. 11546

Trimco / BBW
Triangle Iron Manufacturing Company, Inc.
3528 Emery Street, P.O. Box 23277
Los Angeles, CA 90023, USA

1257M & 1257R
DOOR STOP & HOLDER

DRAWN BY: L.R.

Book No. _____ Date Requested: _____
This template is provided for use only on the job for which it was requested.
Trimco reserves the right to make design changes without notice.