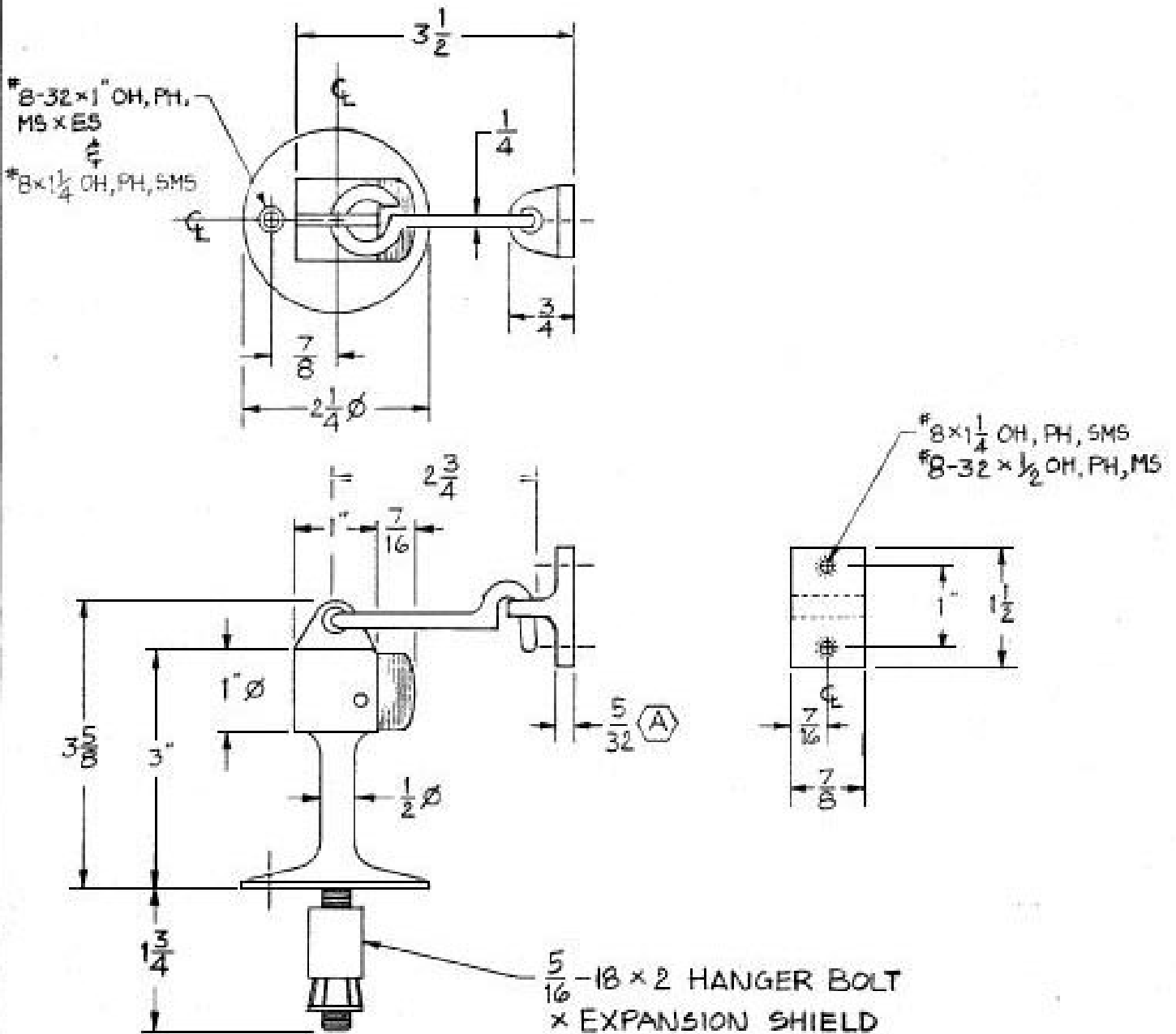


**NOTES:**

1. COMBINATION PACKAGED FOR CONCRETE OR WOOD APPLICATION

**REVISIONS**

LTR	DESCRIPTION	DATE	CHECKED
-	NEW DWG.	3-15-95	<i>[Signature]</i>
A	DIM. 5/32 WAS 1/4	1-8-96	<i>[Signature]</i>



Book No. \_\_\_\_\_ Date Requested: \_\_\_\_\_  
 This template is provided for use only on the job for which it was requested.  
 Trimco/BBW reserves the right to make design changes without notice.

**Trimco / BBW**  
 Triangle Brass Manufacturing Company, Inc.  
 3528 Emery Street, P.O. Box 23277  
 Los Angeles, CA 90023, USA

SCALE

TITLE

1224 (BBW F823-X)  
 FLOOR STOP/HOLDER

PART NO

DRAWN BY T.A. 3-15-95

A DWG. NO. 11420