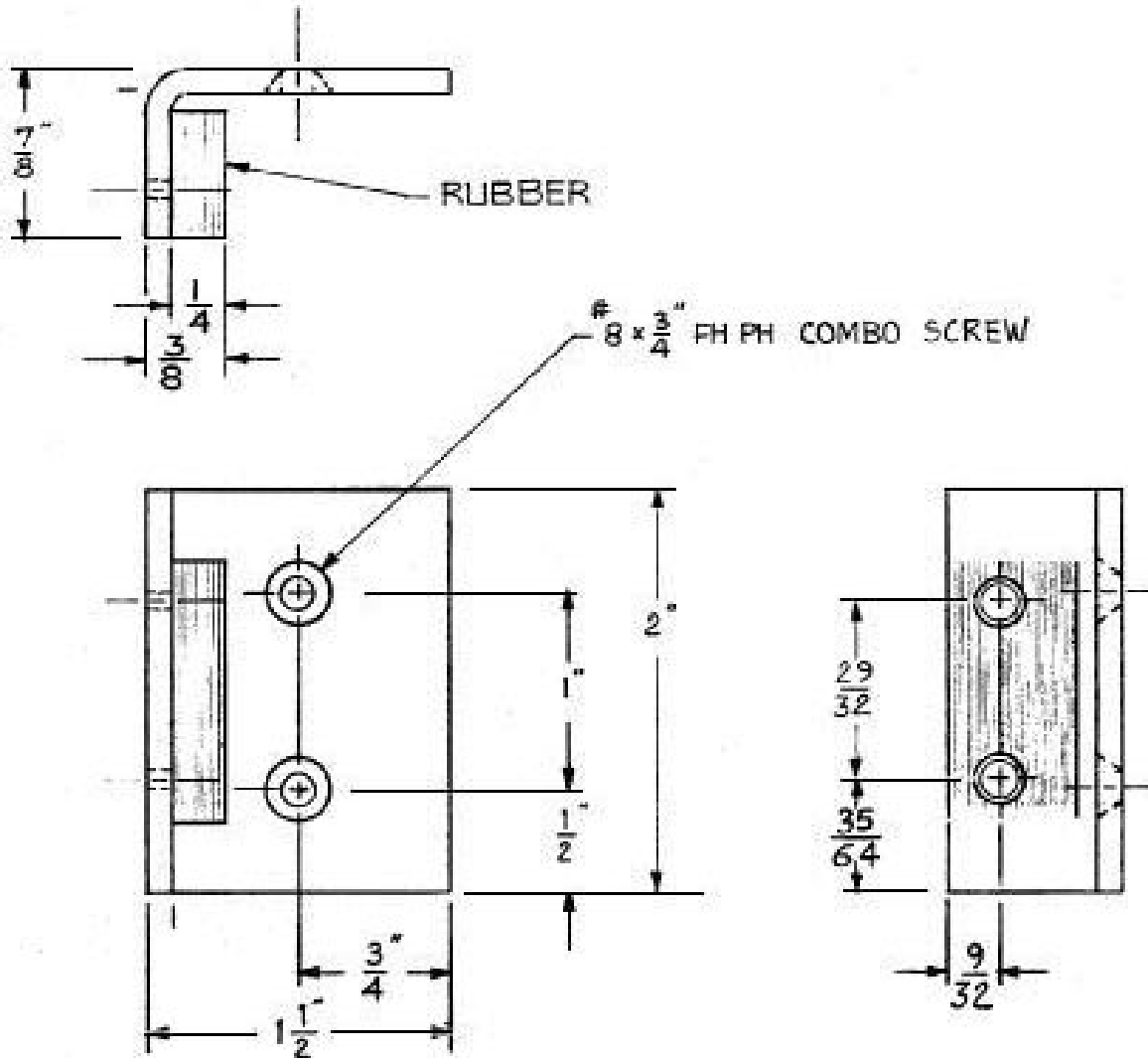


NOTES:

REVISIONS

LTR	DESCRIPTION	DATE	CHECKED
—	NEW DWG.	T.A. 11-30-94	<i>[Signature]</i>



Book No. \_\_\_\_\_ Date Requested: \_\_\_\_\_  
 This template is provided for use only on the job for which it was requested.  
 Trimco/BBW reserves the right to make design changes without notice.

**Trimco / BBW**  
 Triangle Brass Manufacturing Company, Inc.  
 3528 Emery Street, P.O. Box 23277  
 Los Angeles, CA 90023, USA

SCALE  
 USED ON: 1217S

TITLE  
 1217S  
 ANGLE STOP

DRAWN BY T.A. 11-30-94

PART NO  
 A DWG. NO. 11328