

TEMPLATE NO.

17192



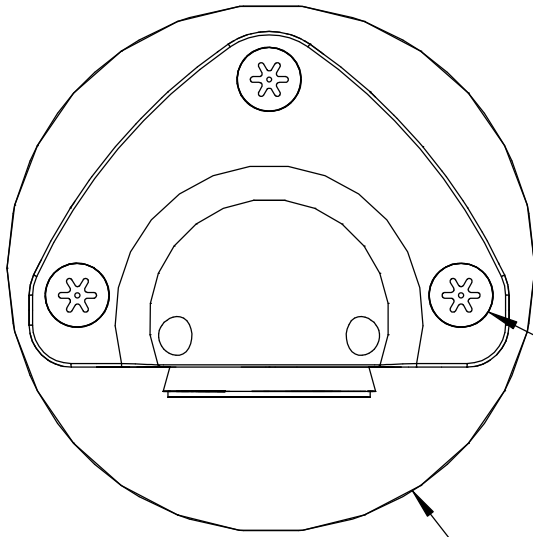
1351 Rocky Point Drive
Oceanside, CA 92056
(323) 262-4191
www.trimcohardware.com

PRODUCT

1214CK
1268CK ANCHORPLATE

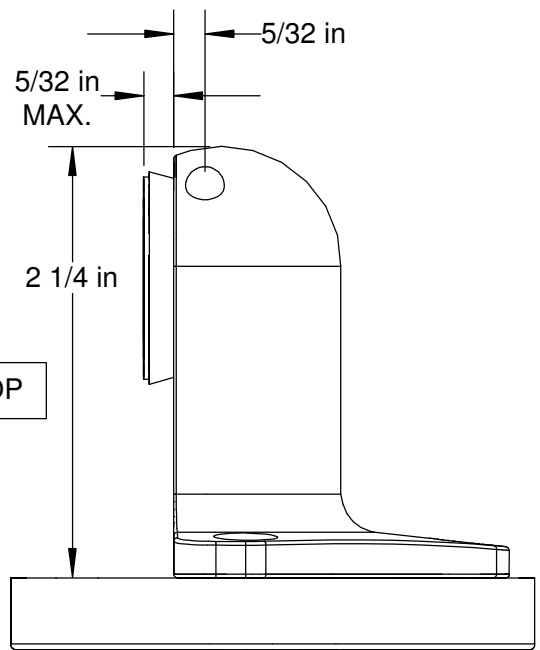
INSTALLATION INSTRUCTIONS:

1. BORE A 3" DIAMETER HOLE AT LEAST 4" DEEP.
2. FILL HOLE WITH "QUICK-CRETE".
FLOAT 1214CK DOOR STOP AND 1268 PLATE ANCHOR INTO "QUICK-CRETE" KEEPING TOP OF ANCHOR PLATE FLUSH WITH FLOOR.
3. FOR FURTHER INSTRUCTIONS SEE "TRIMCO" TEMPLATE #17059.



(3) #8-32 X 1/2" "TORX" SMS

Ø2 3/4 in



5/32 in

5/32 in
MAX.

2 1/4 in

1 9/16 in

1214CK DOOR STOP

TO BE FLUSH WITH
CONCRETE FLOOR

3 5/8 in

1268CK ANCHOR PLATE

NOTE: This template is provided for use only on the job for which it was requested. Trimco reserves the right to make design changes without notice. Trimco will not be responsible for errors or damage caused by the use of out-of-date templates.

DATE

10/21/04