

TEMPLATE NO.

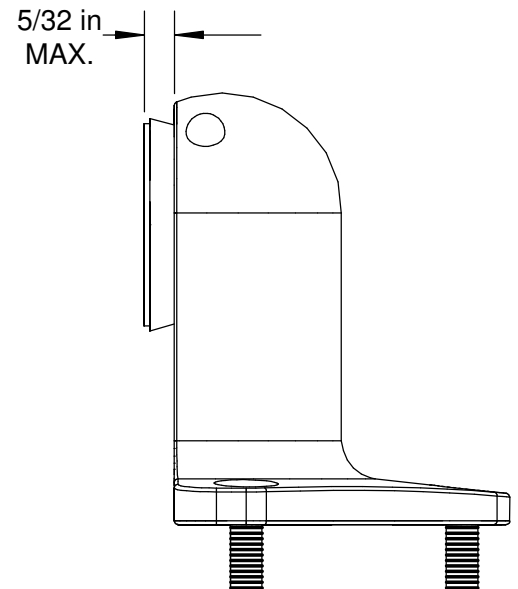
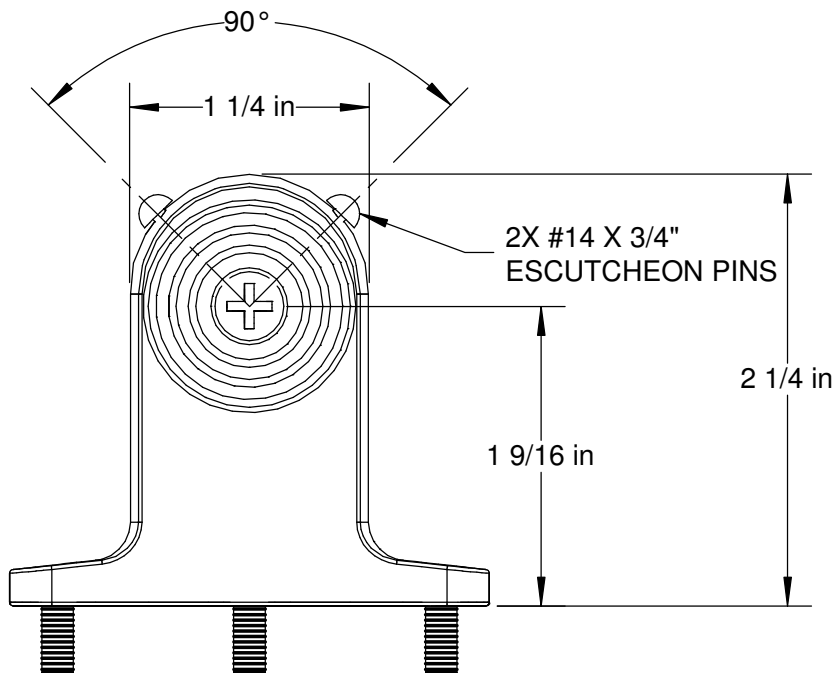
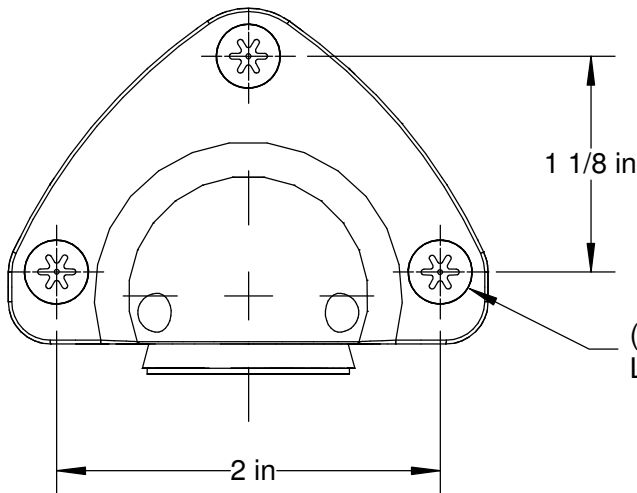
17193



3825 Emery Street
PO Box 23277
Los Angeles, CA 90023-0277
(323) 262-4191
www.trimcobbw.com

PRODUCT

1214CK



NOTE: This template is provided for use only on the job for which it was requested. Trimco reserves the right to make design changes without notice. Trimco will not be responsible for errors or damage caused by the use of out-of-date templates.

DATE

10/21/04