

TEMPLATE NO.

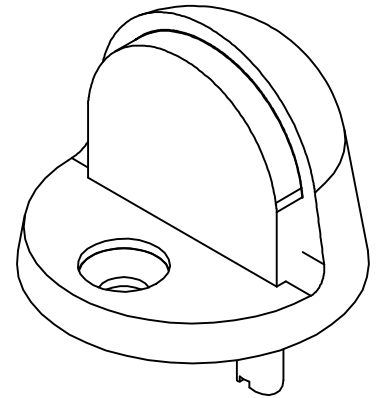
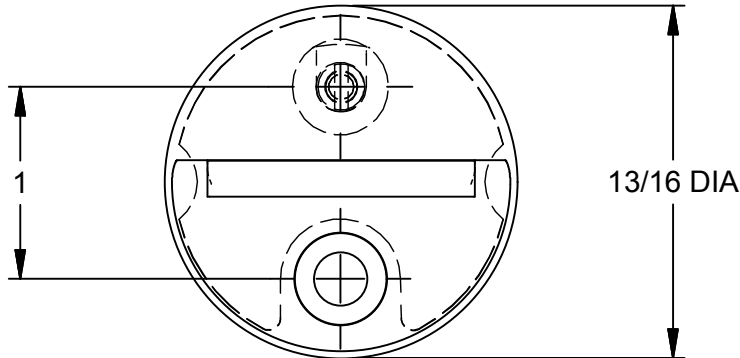
18647
SHT 1 OF 1



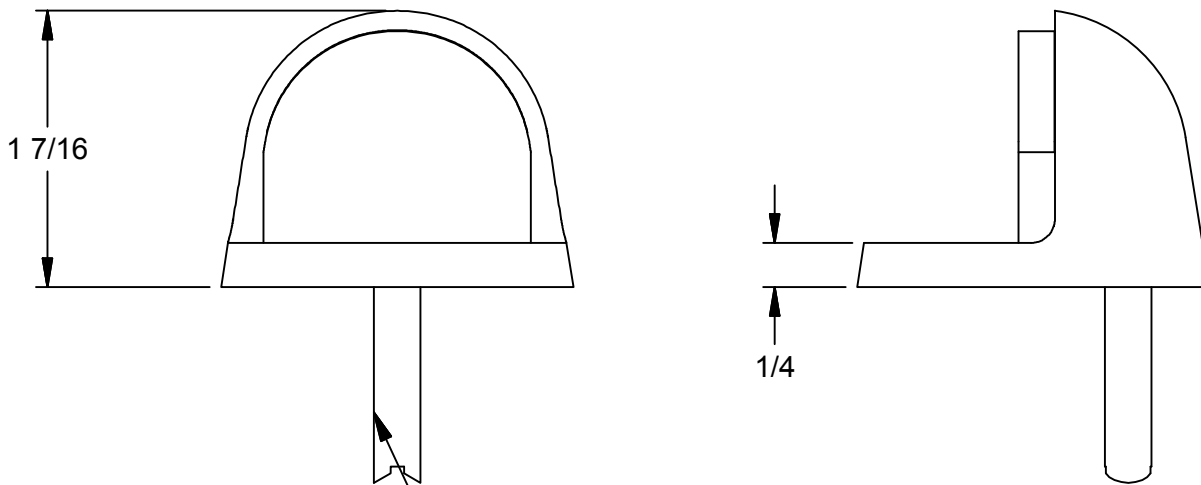
3528 Emery Street
PO BOX 23277
Los Angeles, CA 90023-0277
(323)262-4191 www.trimcobbw.com
email:info@trimcobbw.com

PRODUCT

1211 UNIVERSAL
DOME STOP



For wood floors: drill 3/16" dia pilot hole for wood screws
For cement floors: drill 1/2" dia x 1 1/4" deep hole for lead anchor and machine screw



Drill 1/4" x 1" deep hole for anti-rotation lug
for wood and cement floors

NOTES:

1/2" RISER AVAILABLE (P/N: 1211CL)
3/4" RISER AVAILABLE (P/N: 1211CH)
REPLACEMENT RUBBER (P/N: D1211000073; GREY ONLY)

FASTENERS PROVIDED:

1 ea 1/4-20 X 1" FH, PH, MS
1 ea 1/4-20 Lead Anchor
1 ea #14 X 1-1/2" FH, PH, SMS
1 ea #14 Plastic Bantam

2-12-13 Revision supercedes 7-5-12 Revision. Added 13/16" Dia dim and notes.
7-5-12 Revision supercedes 3/6/08 Version. Installation verbage added, and "drill 1/4 dia" for anti-rotation lug was "drill 5/8" dia".

NOTE: This template is provided for use only on the job for which is was requested.
Trimco reserves the right to make design changes without notice. Trimco will
not be responsible for errors or damage caused by the use of out-of-date templates.

DATE

2/12/13, SH