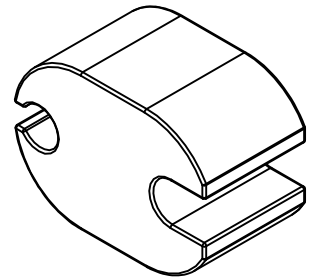
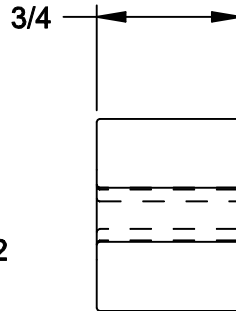
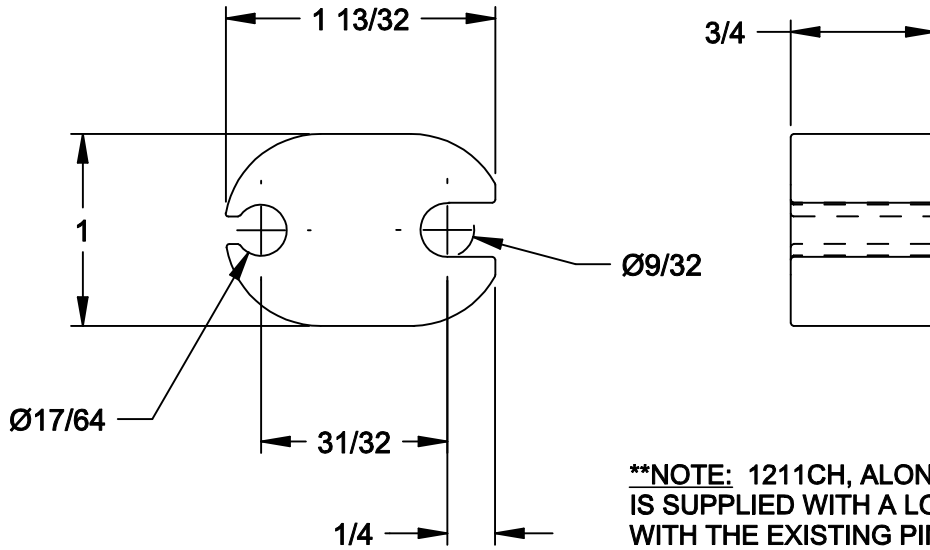
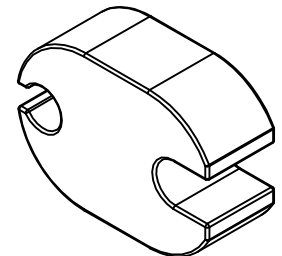
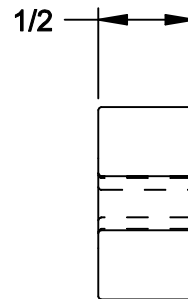
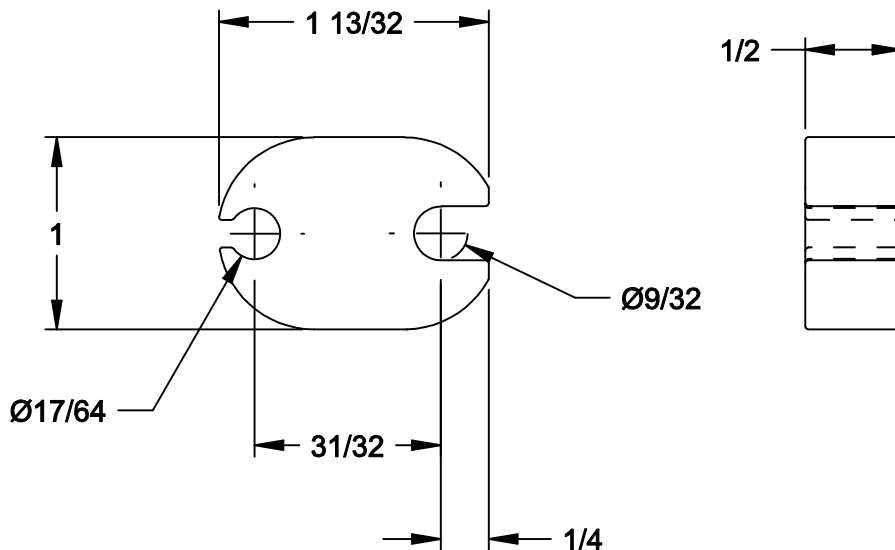


1211CH



****NOTE:** 1211CH, ALONG WITH THE MOUNTING HARDWARE, IS SUPPLIED WITH A LONGER PIN TO BE SWITCHED OUT WITH THE EXISTING PIN MOUNTED ON THE 1211 DOME STOP. REMOVE OLD PIN WITH A REGULAR HEAD SCREW DRIVER AND REPLACE WITH THE ONE PROVIDED WITH THE RISER.

1211CL



BOTH RISERS SUPPLIED WITH: ONE (1) 1/4-20 X 1-3/4" FLAT HEAD, PHILLIPS DRIVE MACHINE SCREW AND ONE (1) #14 X 2" FLAT HEAD, PHILLIPS DRIVE SHEET METAL SCREW