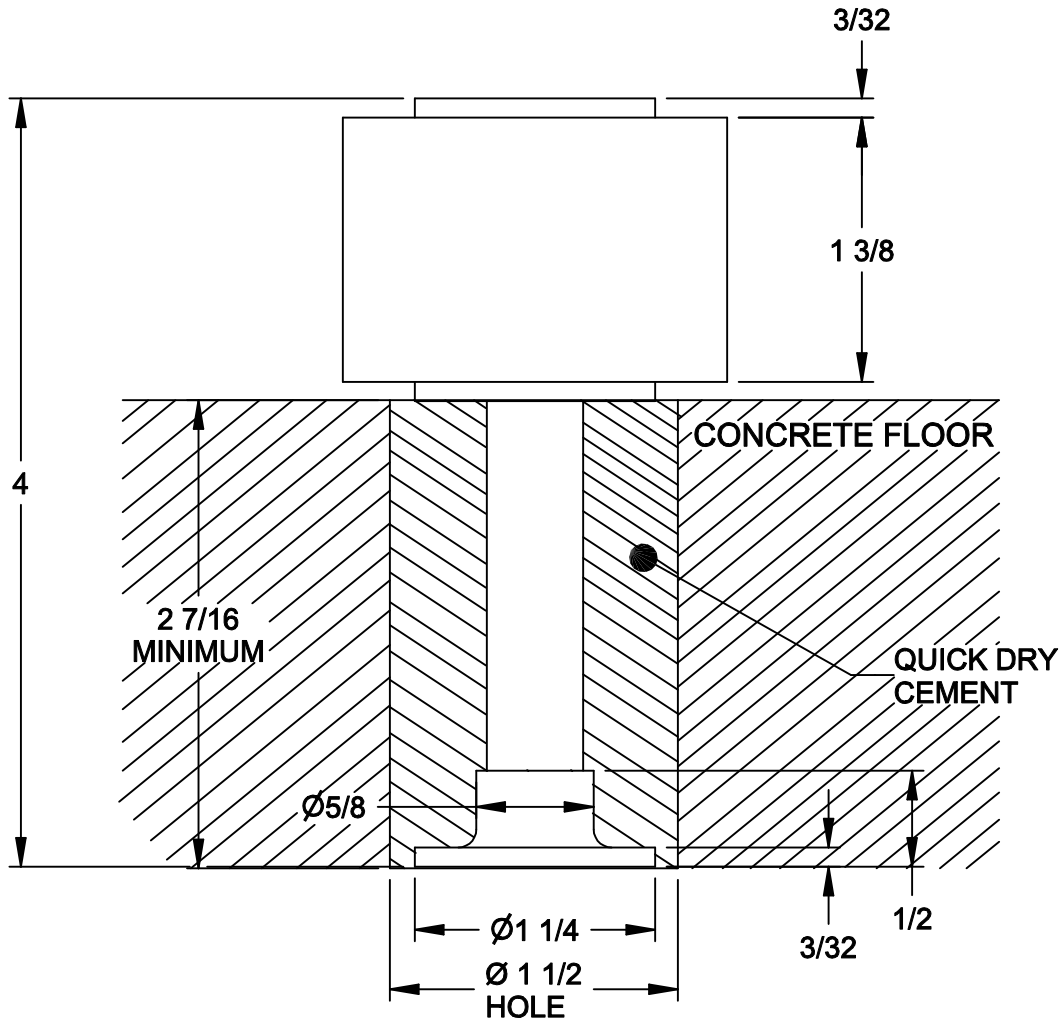
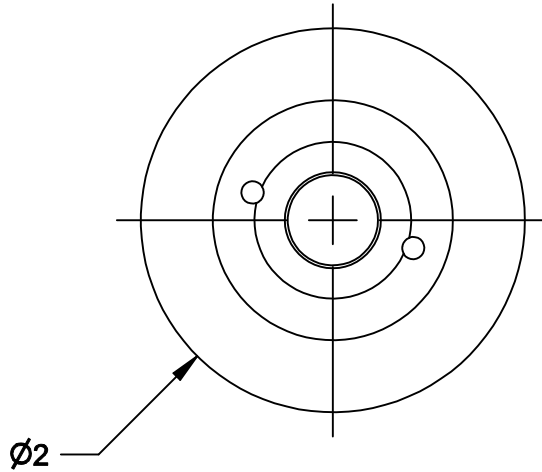
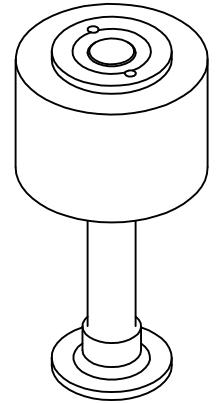


INSTALLATION

INSTALL AS ONE PIECE - DO NOT TAKE APART

- 1) DRILL $\phi 1\text{-}1/2$ " HOLE INTO FLOOR 2-7/16" DEEP OR DEEPER
- 2) FILL HOLE TO WITHIN 1 INCH FROM TOP WITH QUICK DRY CEMENT
- 3) PUSH STOP INTO HOLE AND ALLOW CEMENT TO DRY



NOTE: This template is provided for use only on the job for which is was requested. Trimco reserves the right to make design changes without notice. Trimco will not be responsible for errors or damage caused by the use of out-of-date templates.

DATE

1/29/08