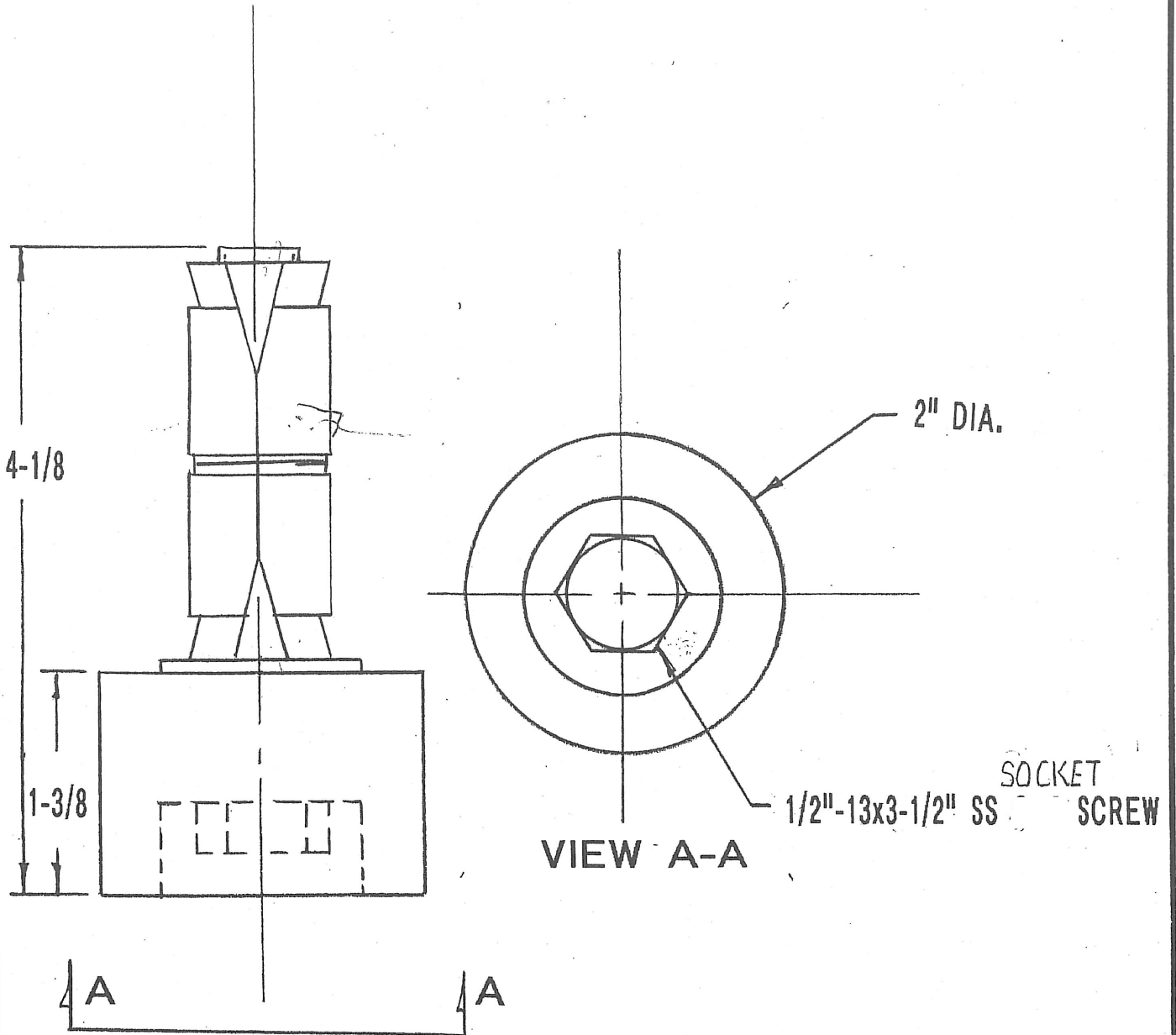


NOTES:

1. DRILL 7/8" DIA. HOLE 2-3/4" DEEP

REVISIONS

LTR	DESCRIPTION	DATE	CHECKED
-	NEW DWG	12/15/00	<i>[Signature]</i>



LOS ANGELES, CA. 90023

SCALE FULL

Standard Tolerances Unless Otherwise Specified  
 .X = ±.030"    .XX = ±.010"  
 .XXX = ±.050"    X° = ±1/2°

TITLE  
 INSTALLATION, 1209W

PART NO

DRAWN BY *IJS* 12-15-00

**A** DWG. NO. 12009