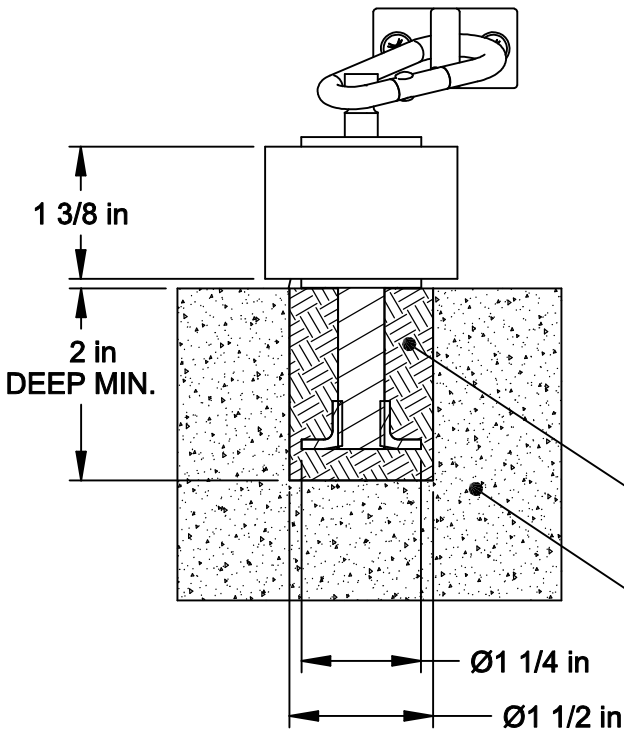
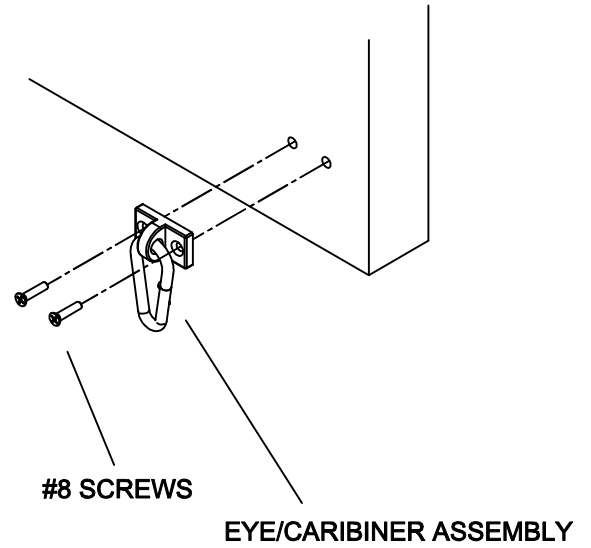
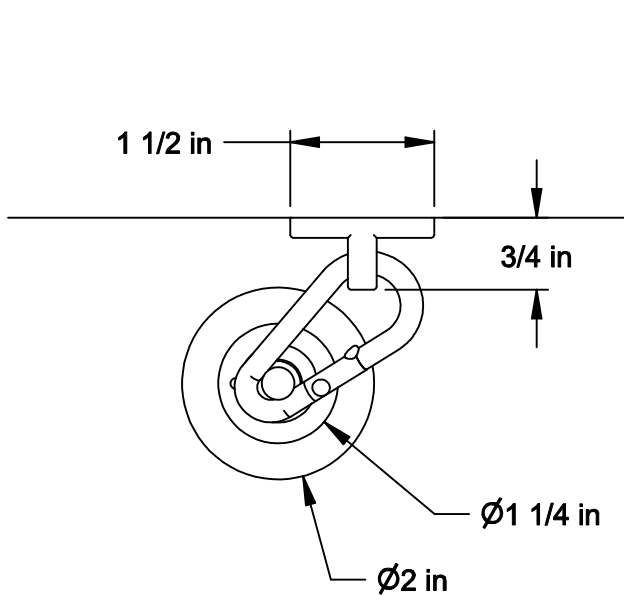


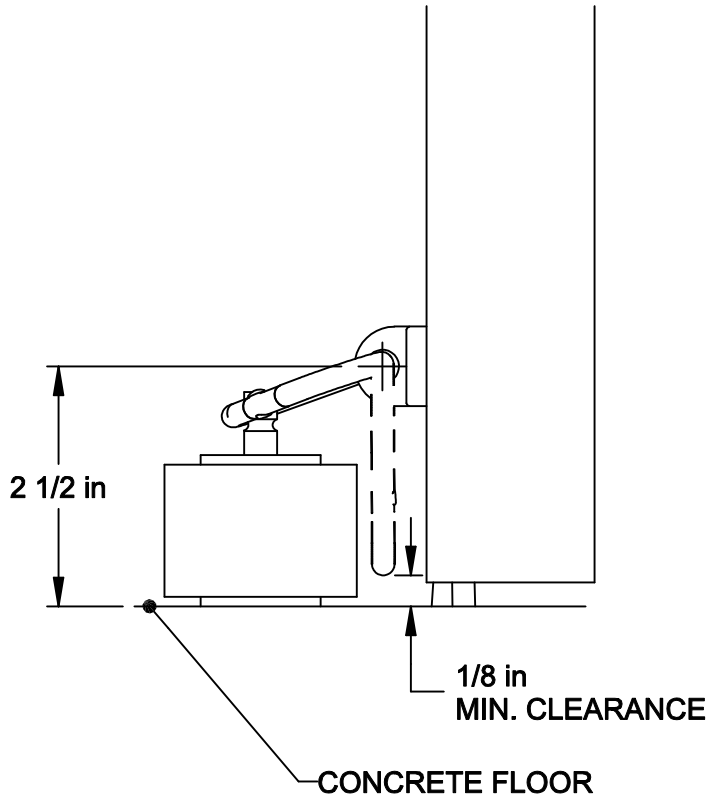
INSTALLATION INSTRUCTIONS

- 1) FILL HOLE WITH QUICK DRY CEMENT.
- 2) PUSH STOP INTO HOLE AND LET IT DRY.



QUICK DRY CEMENT

CONCRETE FLOOR



NOTE: This template is provided for use only on the job for which is was requested. Trimco reserves the right to make design changes without notice. Trimco will not be responsible for errors or damage caused by the use of out-of-date templates.

DATE

08/28/07