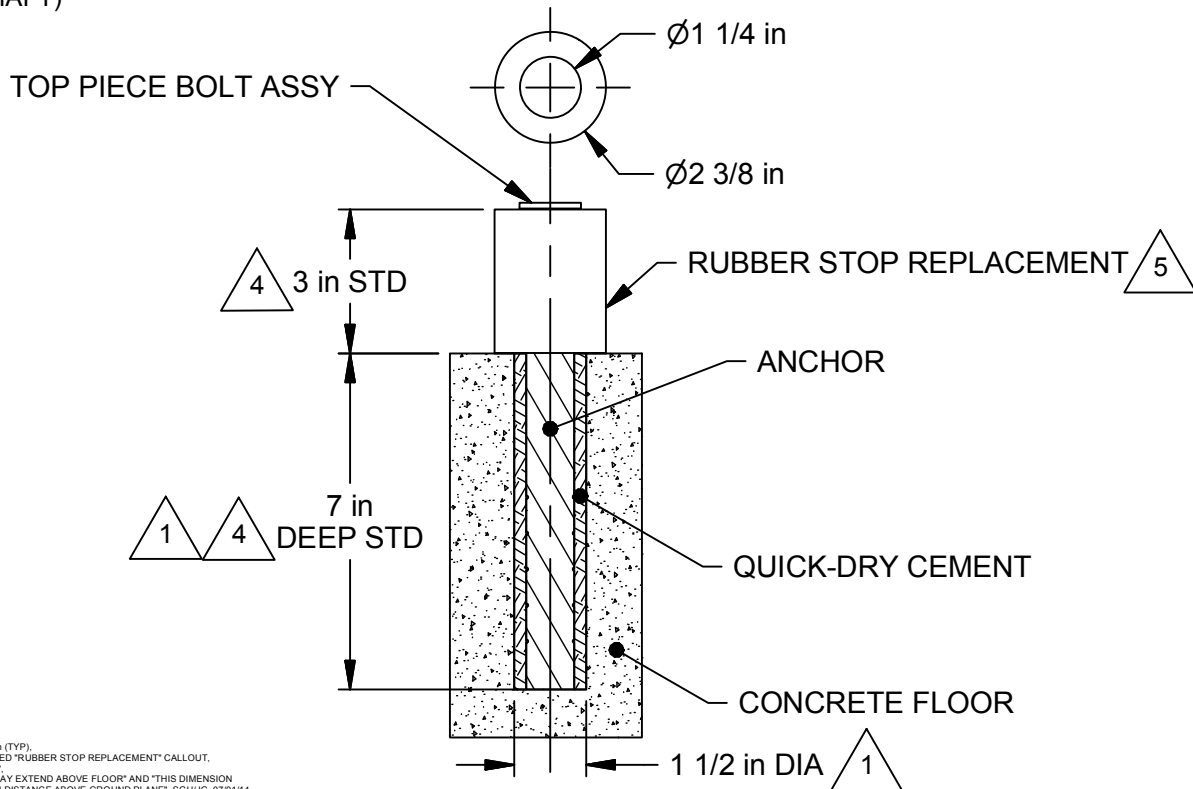


INSTALLATION INSTRUCTIONS

- 1) DRILL CONCRETE FLOOR PER DIMENSIONS PROVIDED, AND FILL WITH WET QUICK-DRY CEMENT APPROXIMATELY 60% FULL.
- 2) PUSH ANCHOR OF DOOR STOP INTO WET CEMENT AND "BOTTOM - OUT"- REMOVE ANY EXCESS CEMENT AND VERIFY THAT THE PROTRUDING ANCHOR STUD IS BOTH CENTERED IN THE CEMENT AND IS VERTICAL.
- 3) CEMENT SHOULD DRY IN APPROX. 30 MIN.
- 4) CUSTOM ORDERS ARE AVAILABLE IF NON-STANDARD ABOVE GROUND HEIGHTS OR BELOW GROUND DEPTHS ARE REQUIRED - BUT THE BELOW GROUND DEPTH MUST EQUAL OR EXCEED THE ABOVE GROUND HEIGHT IN ANY CASE.
- 5) RUBBER REPLACEMENT:
IT IS NOT INTENDED FOR THE RUBBER TO BE REPLACED IN THIS DOOR STOP - BUT IT CAN BE DONE IF ONE IS WILLING TO ACCEPT POTENTIAL COSMETIC-TYPE TOOL MARKS DAMAGE THAT MAY BE IMPARTED TO THE TOP CAP EDGES.

RUBBER REPLACEMENT INSTRUCTIONS:

- 1) USE A HEAT GUN TO LOOSEN THE LOCTITE WHICH BONDS THE TOP PIECE, BOLT ASSY (APPLIED TO BOLT THREADS TO APPROXIMATELY 1/4" BENEATH THE CAP'S BOTTOM SURFACE)
- 2) UNSCREW TO REMOVE THE TOP PIECE, BOLT ASSY - TO DO THIS, YOU WILL NEED TO GRIP THE ROUND CAP EDGES WITH A WRENCH TOOL - THERE ARE NO FLATS SO SOME DAMAGE MAY BE INDUCED INTO THE TOP CAP EDGES
- 3) REMOVE THE OLD RUBBER STOP AND INSTALL THE NEW RUBBER STOP
- 4) APPLY LOCTITE PX#26250 TO THE THREADS OF THE TOP PIECE, BOLT ASSY FROM THE BOTTOM OF THE CAP TO APPROXIMATELY 1/4" LENGTH OF THREADS X 360 DEGREES
- 5) RE-INSTALL TOP PIECE, BOLT ASSY WITH THE NEW RUBBER STOP BY THREADING IT INTO THE ANCHOR (SHAFT)



REVISION RECORD:
MODIFIED NOTES: 3 in STD WAS: 3 in-6 in (TYP),
7 in DEEP STD WAS: 7 in DEEP MIN. ADDED "RUBBER STOP REPLACEMENT" CALLOUT,
"TOP PIECE BOLT ASSY" AND "ANCHOR".
DELETED CALLOUTS: "SOLID ANCHOR MAY EXTEND ABOVE FLOOR" AND "THIS DIMENSION
MUST BE EQUAL TO OR GREATER THAN DISTANCE ABOVE GROUND PLANE". SGH/JG, 07/01/14

NOTE: This template is provided for use only on the job for which is was requested. Trimco reserves the right to make design changes without notice. Trimco will not be responsible for errors or damage caused by the use of out-of-date templates.

DATE

07/01/14