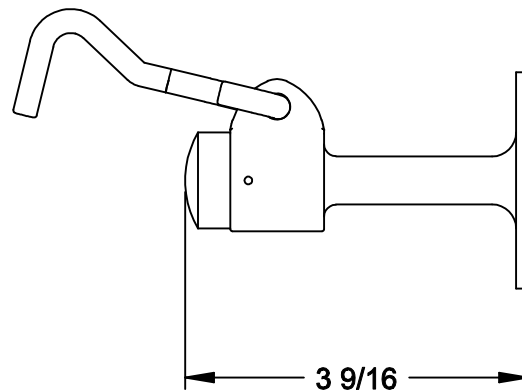
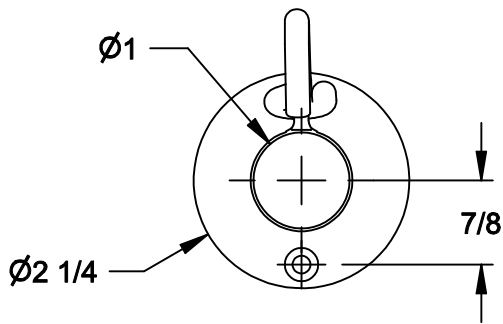
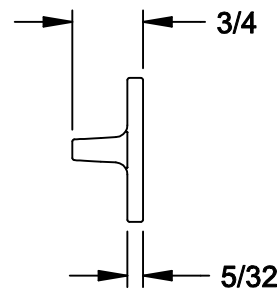
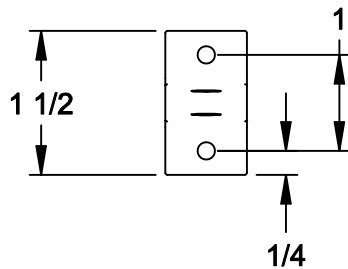


BASE STOP



LATCH PLATE



SUPPLIED WITH THREE (3) #8X1-1/4" OVAL HEAD, PHILLIPS DRIVE WOOD MOUNTING SCREWS, THREE (3) #8X7/8" PLASTIC BANTAMS, ONE (1) #8-32X1 OVAL HEAD, PHILLIPS DRIVE MACHINE SCREWS, ONE (1) #8-32 CONCRETE LEAD ANCHOR, ONE (1) 5/16-18X2" HANGER BOLT, ONE (1) #14X1-1/4" PLASTIC BANTAM, ONE (1) 5/16-18X2 THREADED STUD AND ONE (1) 5/16-18 CONCRETE LEAD ANCHOR.