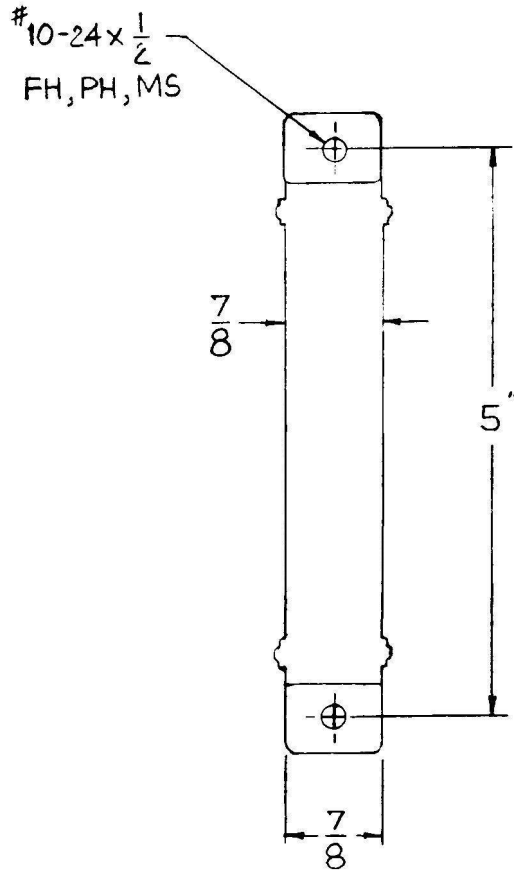
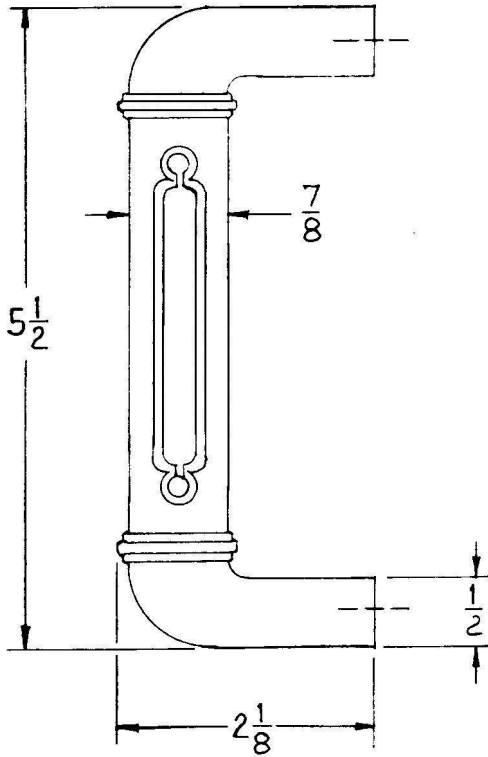


NOTES:

REVISIONS

LTR	DESCRIPTION	DATE	CHECKED
—	NEW DWG.	5-17-95	<i>AN</i>



001102

Book No. _____ Date Requested: _____

This template is provided for use only on the job for which it was requested.

Trimco/BBW reserves the right to make design changes without notice.



Triangle Brass Manufacturing Company Inc.
3528 Emery Street, P.O. Box 23277
Los Angeles, CA 90023, USA

TITLE

1183-1
PULL

PART NO

DRAWN BY

T.A. 5-17-95

A

DWG. NO.

11457