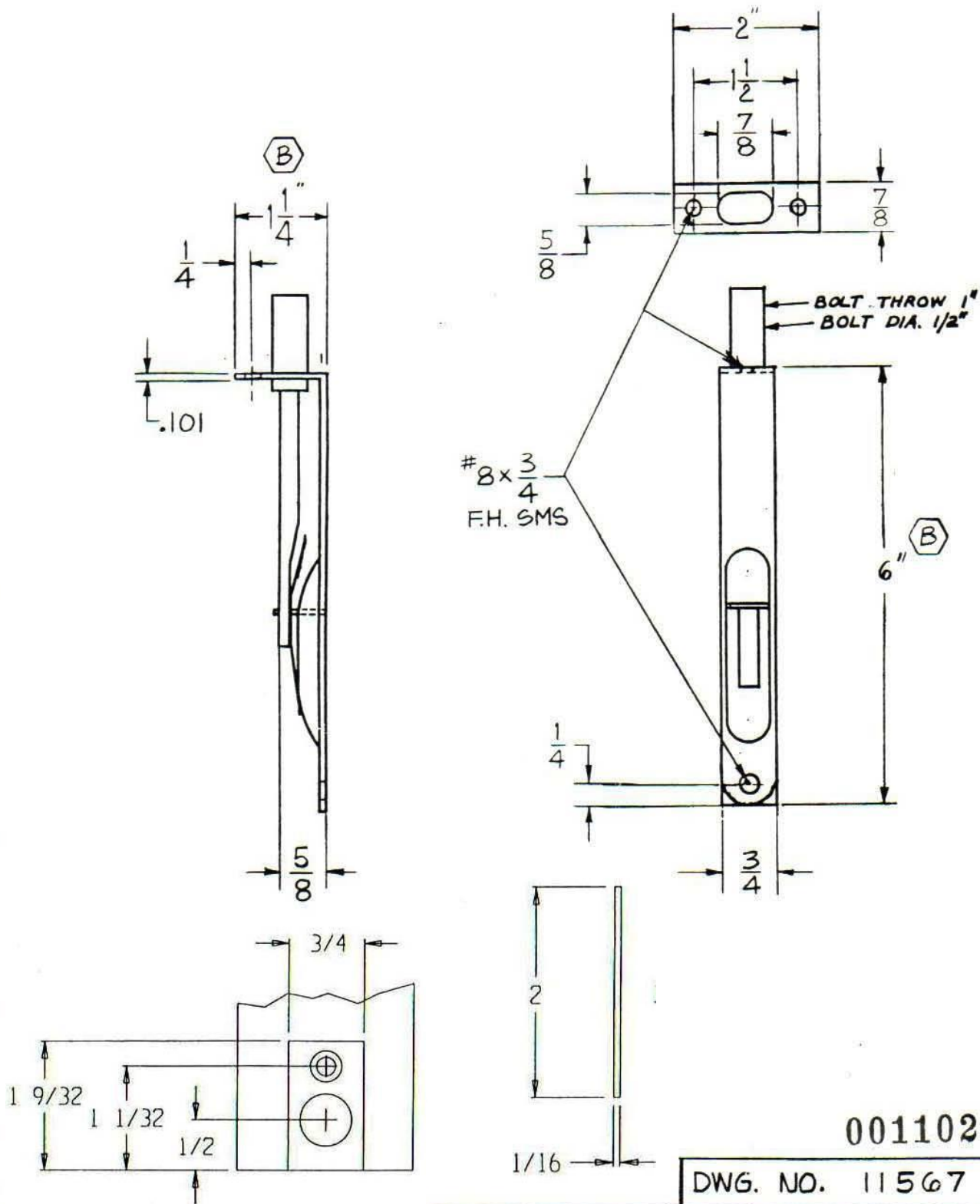


Revised 5/11/15 mf added top & side views of strike from #11567A

A	REVISED: 2-9-87
B	REVISED 12-12-94 <i>JK</i>



001102

DWG. NO. 11567

Trimco

Triangle Brass Manufacturing Company, Inc.

3528 Emery Street, P.O. Box 23277
Los Angeles, CA 90023, USA

3999
FLUSH BOLT

DR. BY: L.R.

Book No. _____ Date Requested: _____
This template is provided for use only on the job for which it was requested. Trimco reserves the right to make design changes without notice.