

Recommended door cut-out 3-7/8" X 4-3/8"

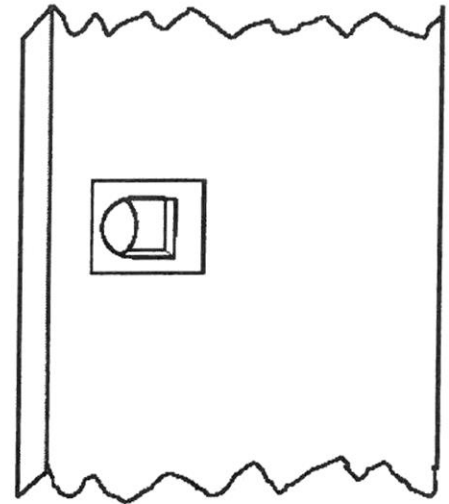
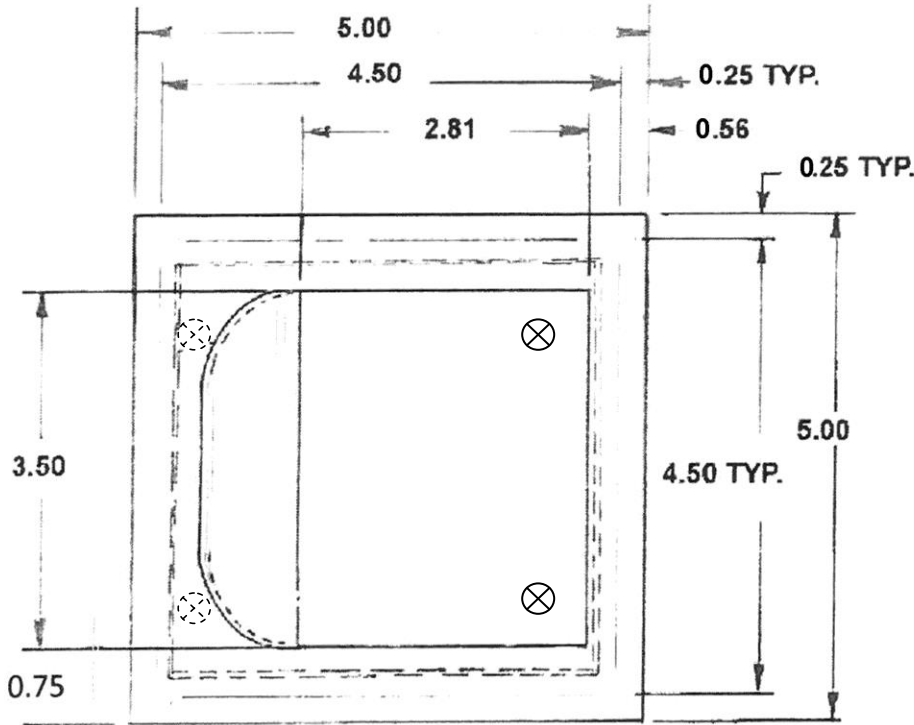
Dimensional Tolerances + - .030

Recommended cut-out is due to the welding on each corner (inside cup) & the silicone between cup & the face

REVISIONS

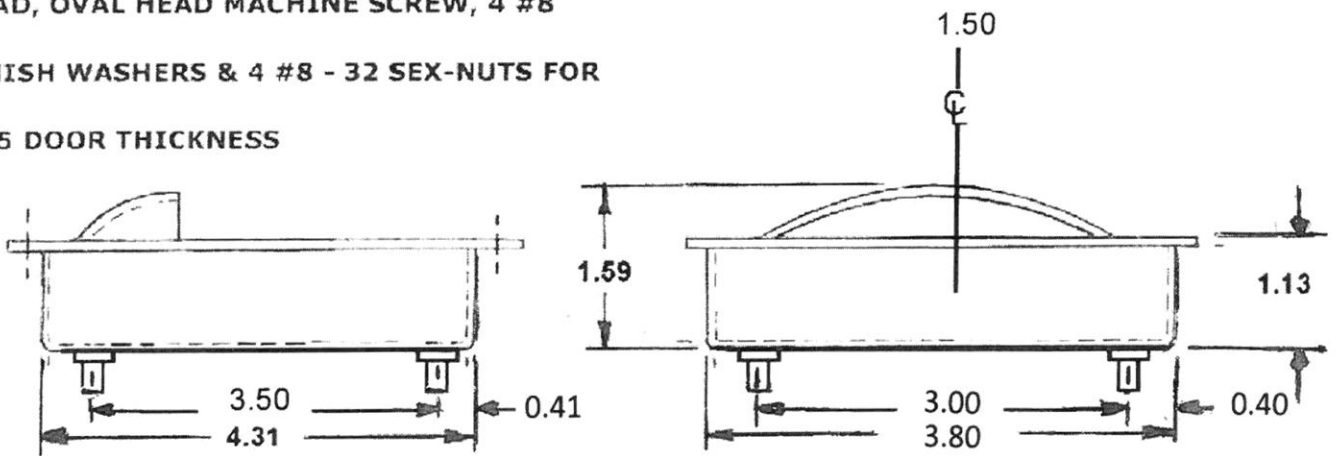
LTR	DESCRIPTION	DATE	CHECKED
-	NEW DWG	9-11-91	INS
A	REVISED	TA 11-14-94	<i>[Signature]</i>

REVISED 4-24-13MF Revised 12/23/14 mf Rev 2/24/15mf
Rev. 5/21/15 mf



RECOMMENDED ORIENTATION
UNLESS SPECIFIED OTHERWISE

SUPPLIED WITH: 4 - #8 - 32 x 3/4" PHILLIPS
HEAD, OVAL HEAD MACHINE SCREW, 4 #8
FINISH WASHERS & 4 #8 - 32 SEX-NUTS FOR
1.75 DOOR THICKNESS



DRAWING # 11531



FLUSH PULL
1111A

TITLE
FLUSH PULL
PART NO
1111A

DRAWN BY LAR 1-22-91 A