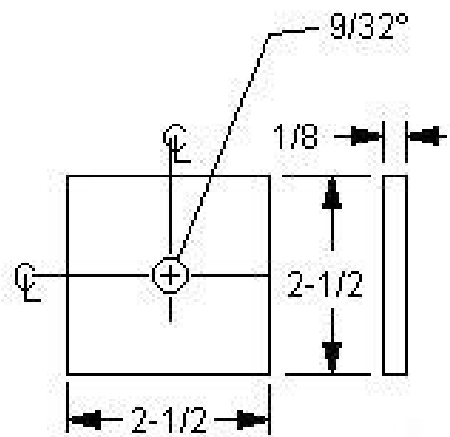
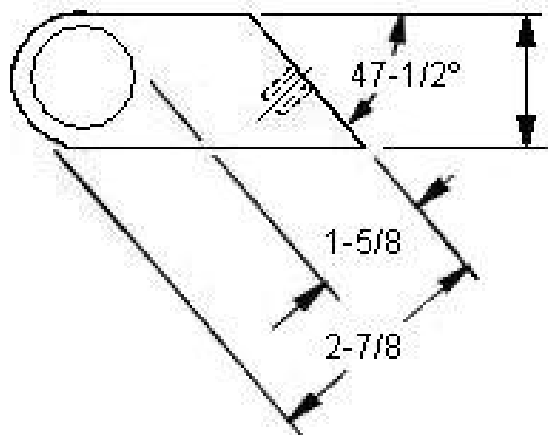
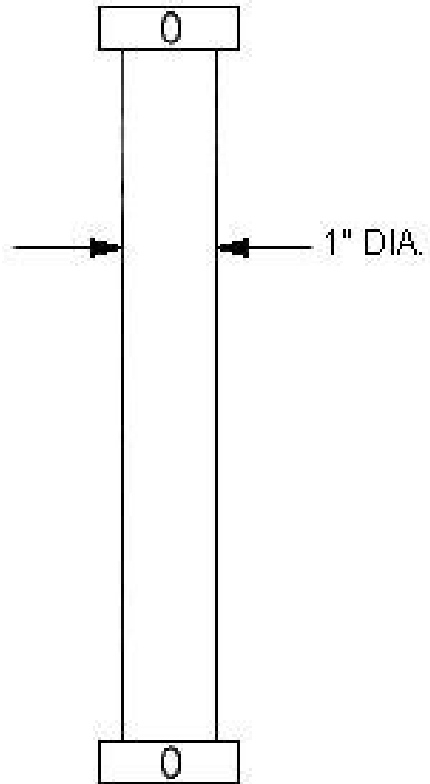
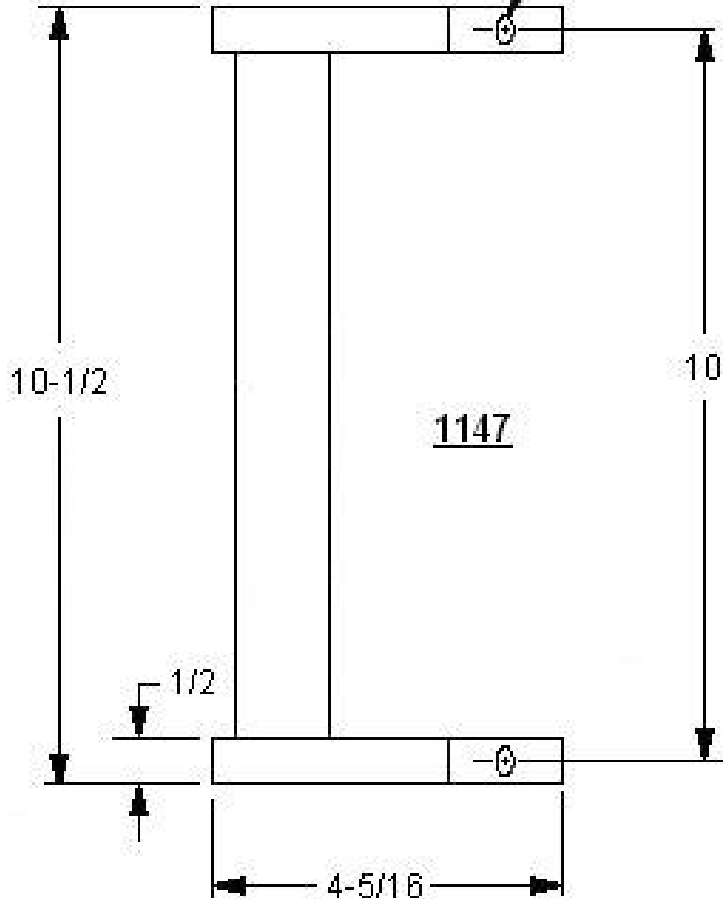


REVISIONS

LTR	DESCRIPTION	DATE	CHECKED
-	NEW DRAWING	10-12-94	IJS
A	REVISED	1-2-96	IJS

1/4-20 X 2-1/4" LONG FH, PH, MS
WITH #14 FINISH WASHERS



1147 BP

Trimco / BBW
Triangle Steel Manufacturing Company, Inc.
3528 Emery Street, P.O. Box 23277
Los Angeles, CA 90023, USA

1147, 1147BP
PULL

DWG NO. 1 1 3 2 1

DRAWN BY: T.A. 10-12-94