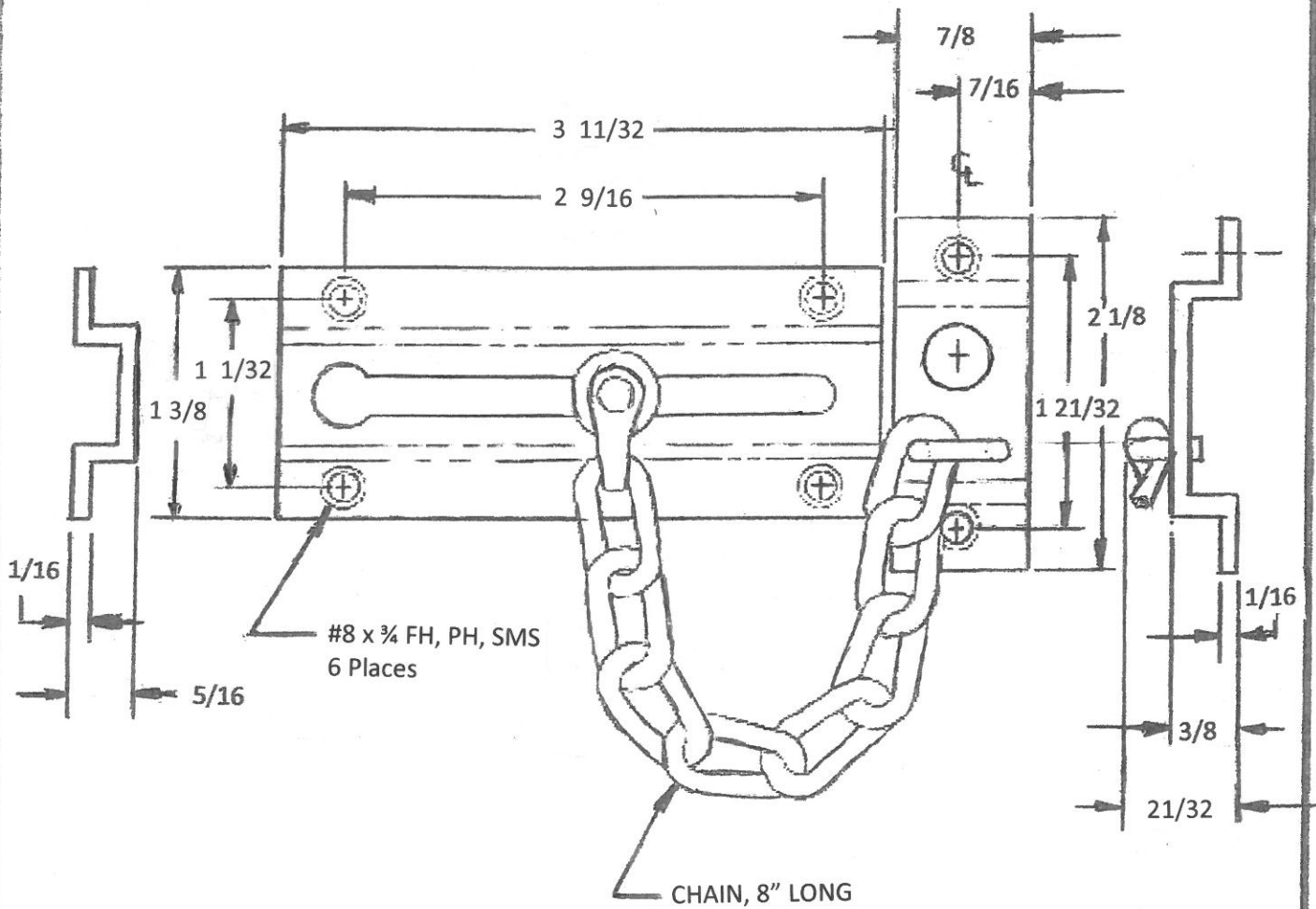


NOTES:

1. DO NOT PREDRILL MOUNTING HOLES.

REVISIONS

LTR	DESCRIPTION	DATE	CHECKED
—	NEW DRAWING	5-25-95	<i>[Signature]</i>



9-2-15: Tweaked Hardware Design and Dims to match current product. JG

Trimco / BBW
 Single Source Manufacturing Company, Inc.
 3528 Emery Street, P.O. Box 23277
 Los Angeles, CA 90023, USA

SCALE

TITLE

4015 DOOR
 GUARD CHAIN

PART NO

DRAWN BY

T.A. 5-25-95

A

DWG. NO.

11465