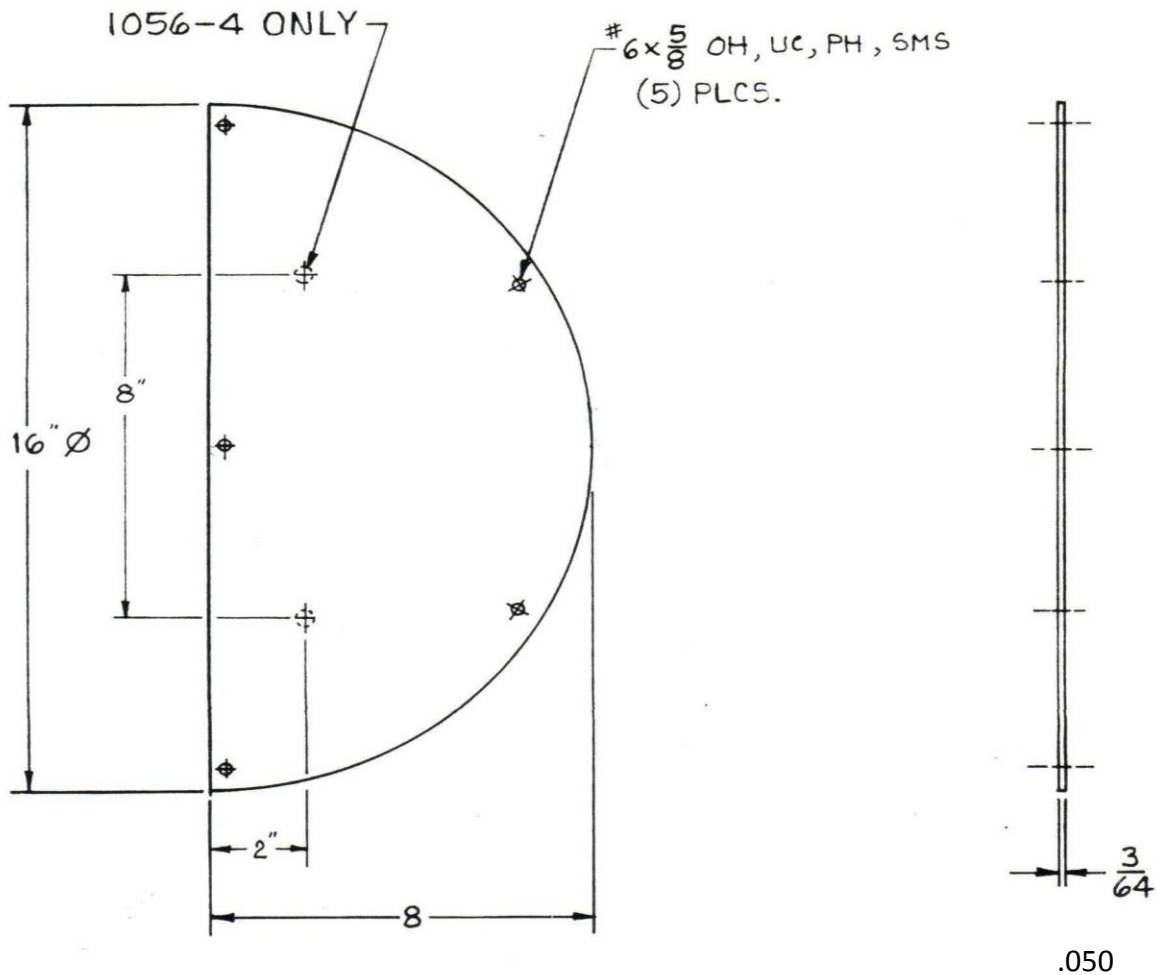


NOTES:

1. 1056-4, SEE 1139-2 TEMPLATE FOR GRIP DIMENSIONS.
2. 1056-4 SUPPLIED WITH
 2- $\frac{1}{4}$ -20x $2\frac{1}{4}$ FH, PH, MS
 2-#14 FINISH WASHERS
 5- $\#6 \times \frac{5}{8}$ OH, UC, PH, SMS
3. DO NOT PREDRILL DOOR.

REVISIONS

LTR	DESCRIPTION	DATE	CHECKED
-	NEW DWG.	2-17-95	<i>[Signature]</i>



Updated 12/23/15 mf
 Copied to new letterhead

TITLE

PUSH PLATE 8x16

PART NO 1041-4, 1056-4

DRAWN BY T.A. 2-17-95

A DWG. NO. 11400