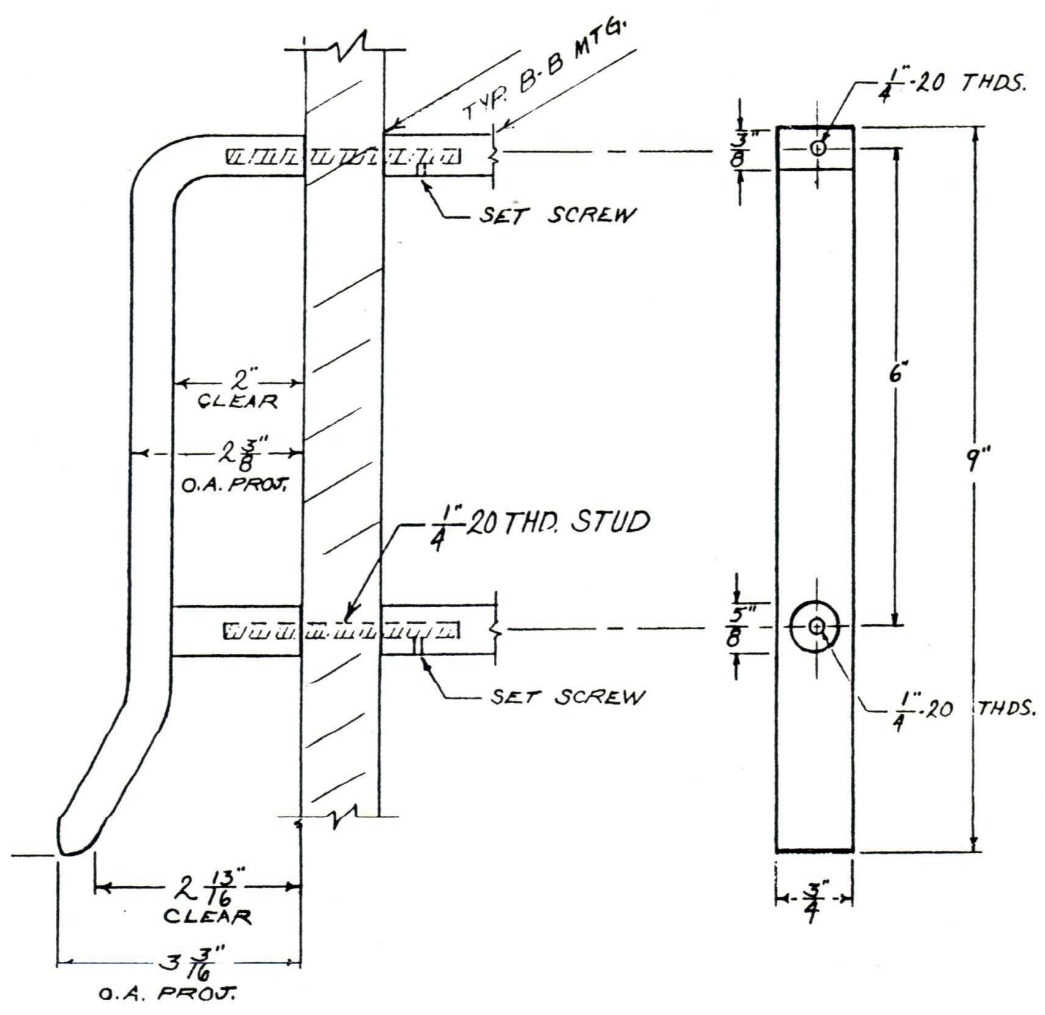


A	REVISED: T-7-87
B	REVISED: 8-21-95

1135



Mounting Screw: Data for No. 1135 Hospital Arm Pull	
T.B.: (Wood & Metal)	1/4-20 x 2-1/4 T.B x #14 Washer
BACK to BACK	1/4-20 Stud with Set Screws

001102

DWG. NO. 11522

Trimco
 Triangle Brass Manufacturing Company, Inc.
 3528 Emery Street, P.O. Box 23277
 Los Angeles, CA 90023, USA

1135
 PULL

DR. BY: L.R.

Book No. _____ Date Requested: _____
 This template is provided for use only on the job for which it was requested.
 Trimco reserves the right to make design changes without notice.