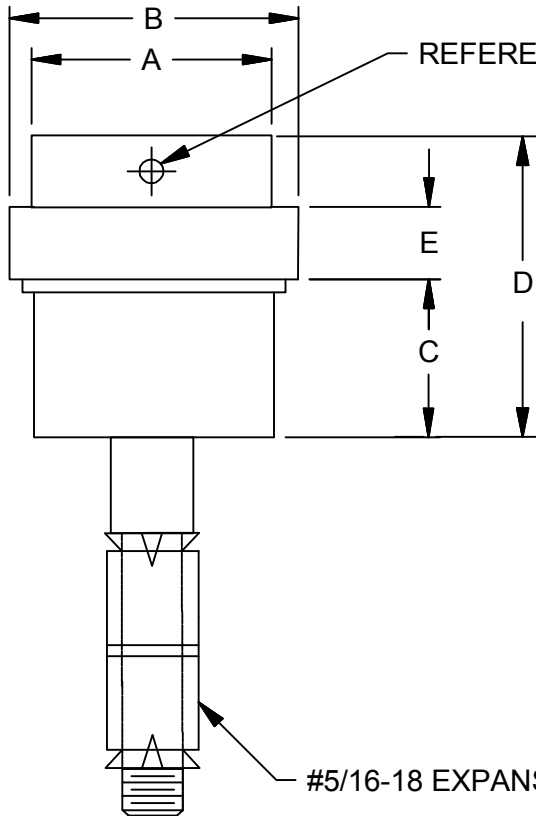
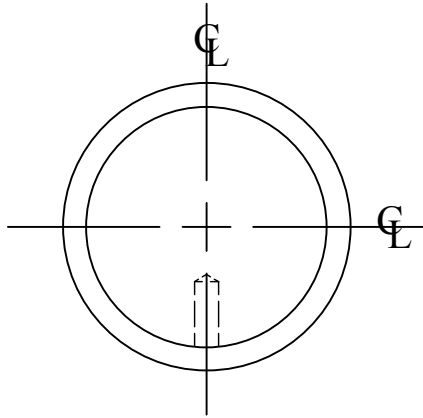




INSTALLATION INSTRUCTIONS:

- 1) DRILL 5/8 DIA IN CONCRETE X 2 3/4 DEEP (7280), X 2 1/4 DEEP (7281)
- 2) INSTALL FLOOR STOP INTO HOLE, MAKING SURE THAT THE THREADED SIDE OF THE EXPANSION ANCHOR IS NEAR THE BOTTOM OF THE HOLE.
- 3) TWIST (TORQUE) THE CAP CLOCKWISE TO "HAND-TIGHTEN" INTO THE FLOOR - INSERT A PIN (OR OTHER TOOL) INTO THE HOLE ON THE SIDE OF THE CAP TO TOOL-TIGHTEN.



#5/16-18 EXPANSION ANCHOR

NOTE: 7280 IS SHOWN

PART NO.	A	B	C	D	E
7280	1-1/4	1-1/2	13/16	1-9/16	3/8
7281	1-3/4	2-1/4	1-1/2	2-1/4	3/8

REVISION RECORD:
RE-DRAWN IN CAD. SOCKET CAP SCREW THRU THE CAP HAS BEEN REPLACED BY A SMOOTH TOP CAP WITH A BLIND THREADED HOLE AND A THREADED STUD, SUPERSEDES 9-15-95 VERSION, SGH/JG, 10/21/14
ADDED INSTALLATION INSTRUCTIONS, #5/16-18 EXPANSION ANCHOR WAS: #5/16-18 ANCHOR BOLT, ADDED SLEEVE AND MODIFIED VIEWS, ADDED NOTE: 7280 IS SHOWN.
SUPERSEDES 10/21/14 VERSION, SGH/JG, 01/27/15
MODIFIED NOTE 3, ADDED REFERENCE NOTE TO HOLE,
SUPERSEDES 01/27/15 VERSION, SGH/JG, 04/07/15

NOTE: This template is provided for use only on the job for which is was requested. Trimco reserves the right to make design changes without notice. Trimco will not be responsible for errors or damage caused by the use of out-of-date templates.

DATE

04/07/15