

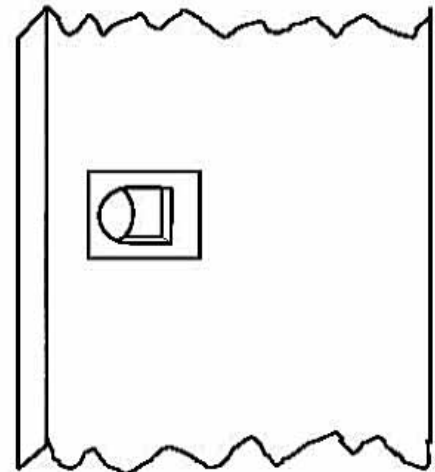
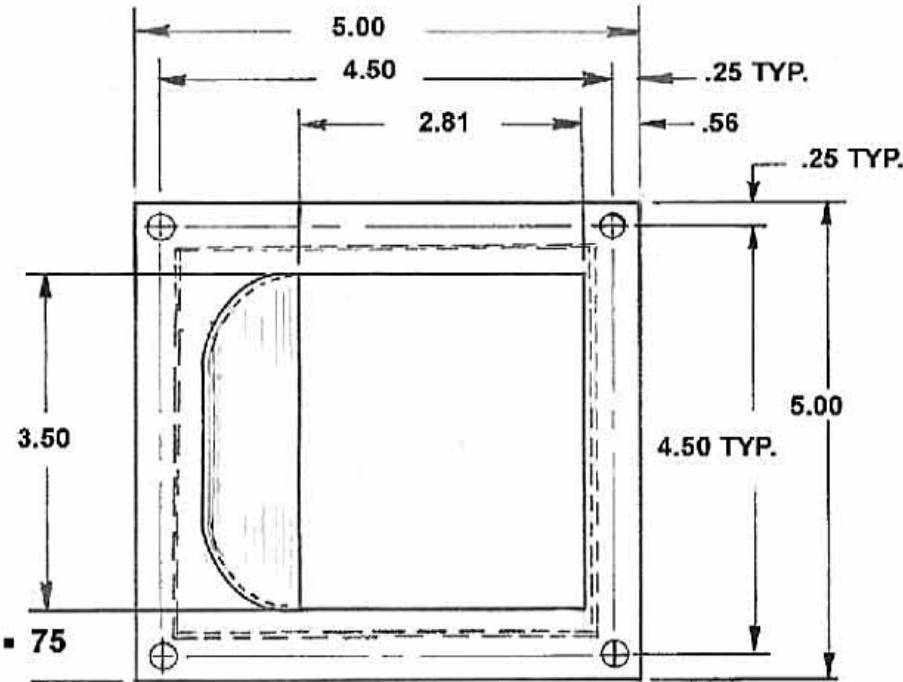
Recommended door cut-out 3-7/8" X 4-3/8"

Dimensional Tolerances + .030

**REVISIONS**

LTR	DESCRIPTION	DATE	CHECKED
-	NEW DWG	9-11-91	INS
A	REVISED	TA. 11-14-94	<i>[Signature]</i>

REVISED 4-24-13MF Revised 12/23/14 mf



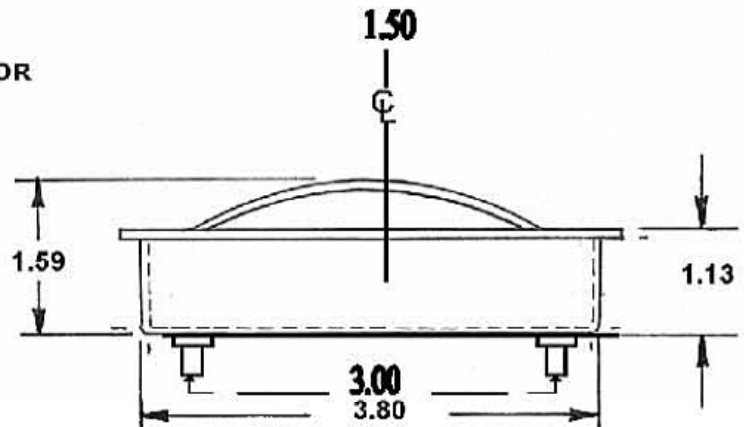
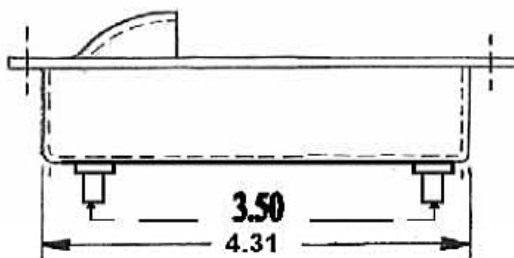
RECOMMENDED ORIENTATION  
UNLESS SPECIFIED OTHERWISE

SUPPLIED WITH: 4 - #8 - 32 x 1-3/4 PHILLIPS

HEAD, OVAL HEAD MACHINE SCREW, 4 #8

FINISH WASHERS & 4 #8 - 32 SEX-NUTS FOR

1.75 DOOR THICKNESS



FLUSH PULL 1111B		TITLE FLUSH PULL	
		PART NO 1111B	
DRAWN BY LAR	1-22-91	A	DWG. NO. 11322