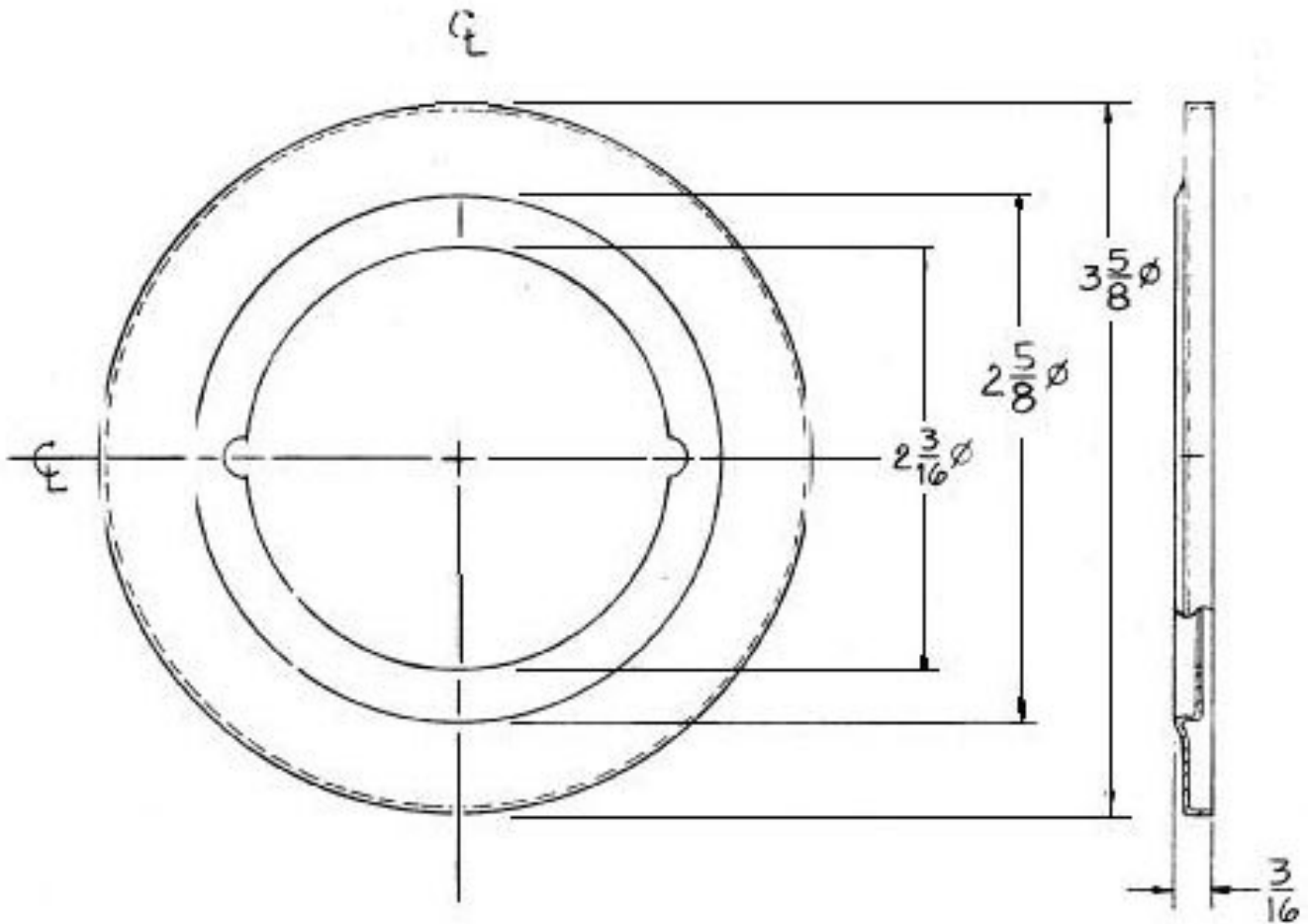


NOTES:

REVISIONS

LTR	DESCRIPTION	DATE	CHECKED
—	NEW DWG.	5-19-95	<i>[Signature]</i>



Book No. ___ Date Requested: ___
 This template is provided for use only on
 the job for which it was requested.
 Trimco/BBW reserves the right to make
 design changes without notice.

Trimco / BBW
 Triangle Brass Manufacturing Company, Inc.
 3528 Emery Street, P.O. Box 23277
 Los Angeles, CA 90023, USA

SCALE

TITLE

111
 ESCUTCHEON

PART NO

DRAWN BY T.A. 5-23-95

A DWG. NO. 11462