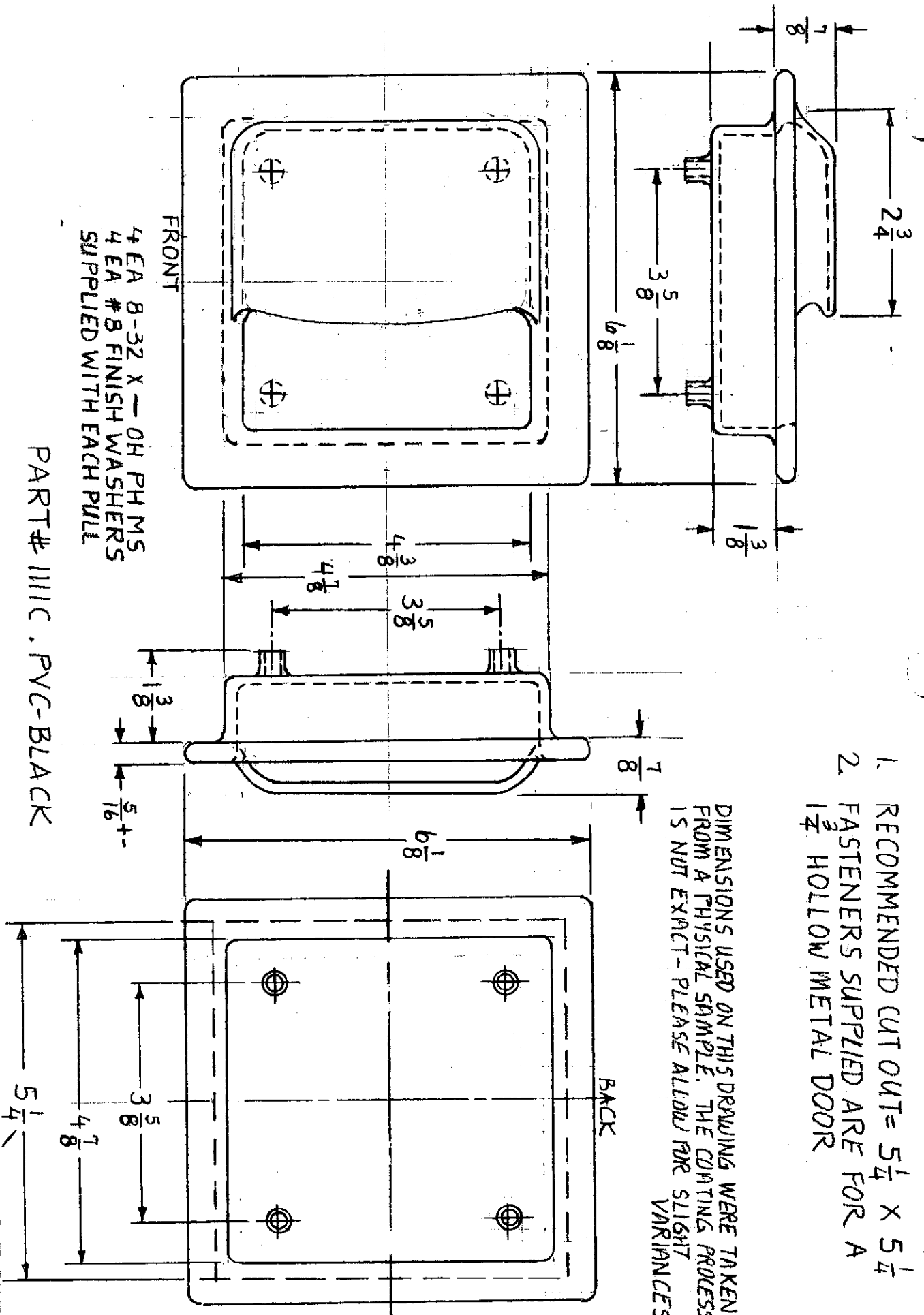


1. RECOMMENDED CUT OUT =  $5\frac{1}{4}$  X  $5\frac{1}{4}$
2. FASTENERS SUPPLIED ARE FOR A  $1\frac{3}{8}$  HOLLOW METAL DOOR

DIMENSIONS USED ON THIS DRAWING WERE TAKEN FROM A PHYSICAL SAMPLE. THE COATING PROCESS IS NOT EXACT - PLEASE ALLOW FOR SLIGHT VARIANCES



4 EA 8-32 X - OH PH MS  
4 EA # 8 FINISH WASHERS  
SUPPLIED WITH EACH PULL

PART# 1111C . PVC-BLACK

SCALE: HALF

RECOMMENDED CUT OUT

DRAWING# DL 33530

SKETCH BY DLS 1-27-2003