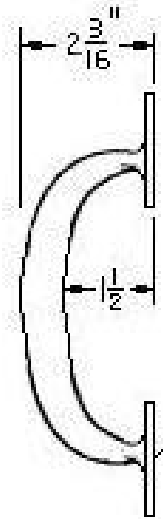
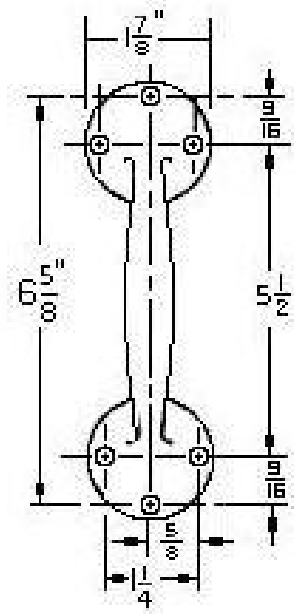
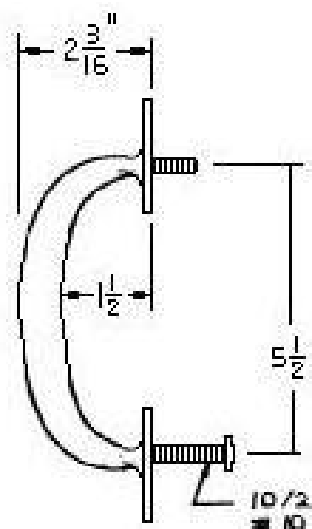
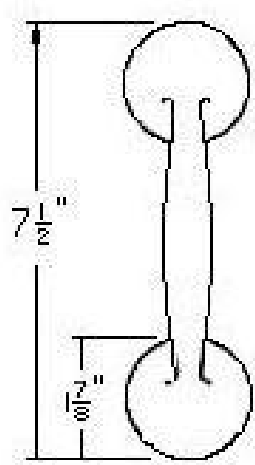


A	REVISED: 1-7-87
B	REVISED 11-10-94
C	REVISED 1-11-95



1102S

#8 X 1-1/4 DHPH SMS
#8/32 X 1/2 CHPHMS



1102T

10/24 X 2-1/4 FH/HTB X
#10 FINISHING WASHERS

DRW NO. 11518

Trimco / BBW
 Through Brass Manufacturing Company Inc.
 3528 Emery Street, P.O. Box 23277
 Los Angeles, CA 90023, USA

1102S (BBW P/N PD-2)
 1102T (BBW P/N PD-3)
 PULL

DR. BY: L.R.

Book No. _____ Date Requested: _____
 This template is provided for use only on
 the job for which it was requested.
 Trimco reserves the right to make design
 changes without notice.