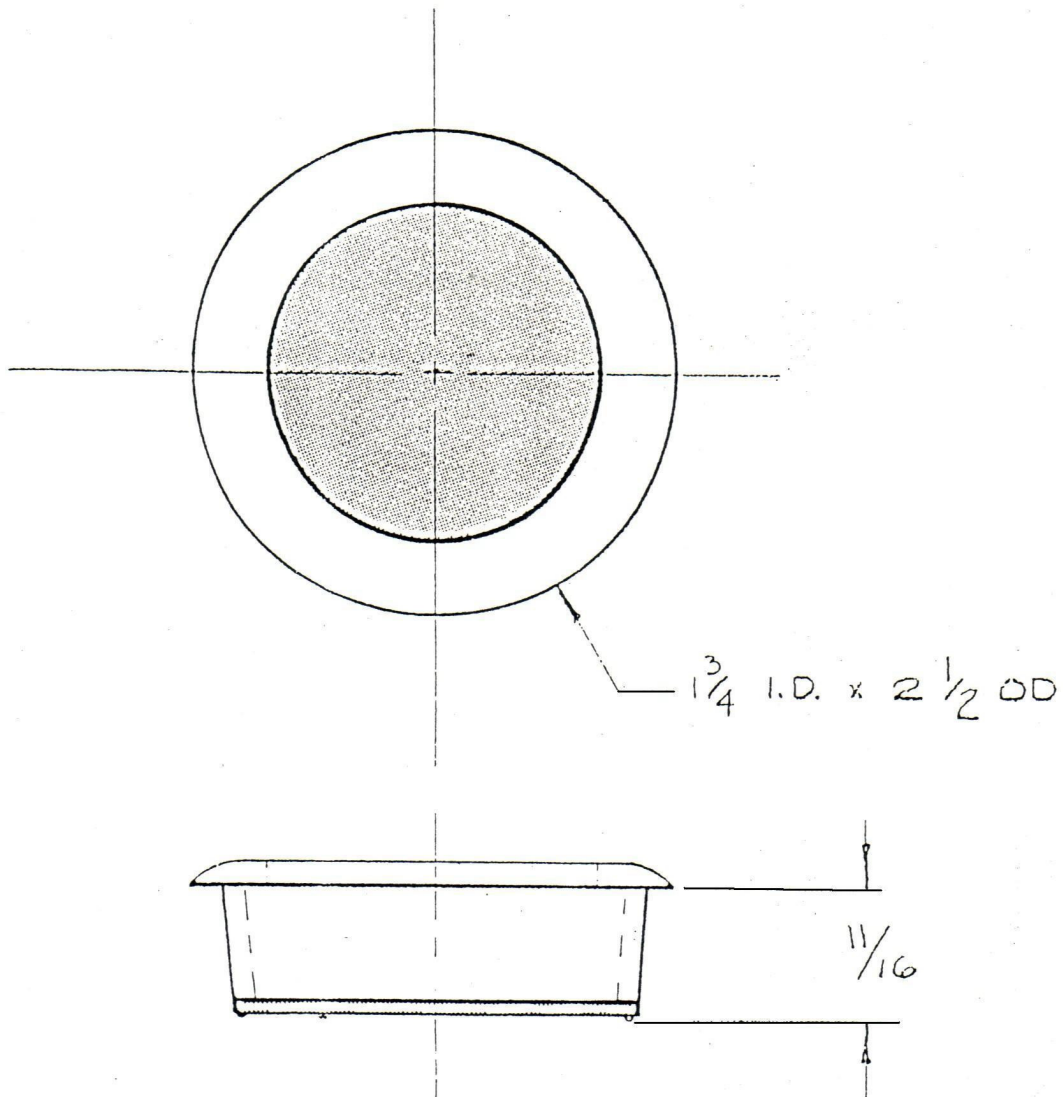


NOTES:

1. PREPARE DOOR WITH 2 1/8 DIA BORE, ONE SIDE ONLY.
2. DRIVE INTO DOOR WITH RUBBER MALLET.

REVISIONS

LTR	DESCRIPTION	DATE	CHECKED
-	NEW DWG	12-19-97	<i>[Signature]</i>



Book No. \_\_\_ Date Requested: \_\_\_  
 This template is provided for use only on the job for which it was requested.  
 Trimco/BBW reserves the right to make design changes without notice.



Triangle Brass Manufacturing Company Inc.  
 3528 Emery Street, P.O. Box 23277  
 Los Angeles, CA 90023, USA

TITLE *TEMPLATE - 1059 FLUSH PULL*

PART NO *1059.1059*

DRAWN BY *IJS 12-19-97*

A DWG. NO. *11787*