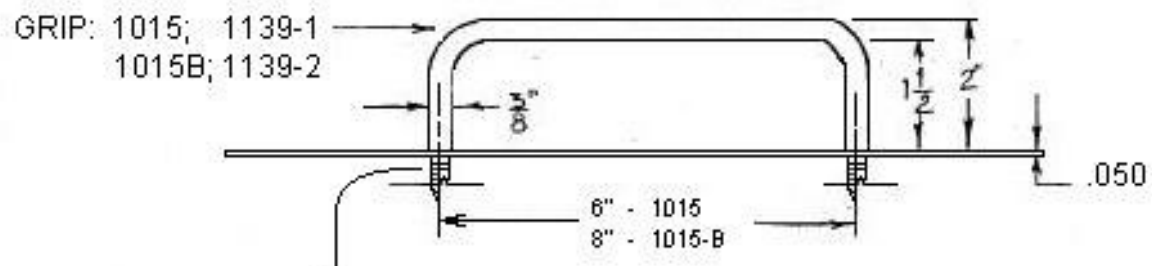
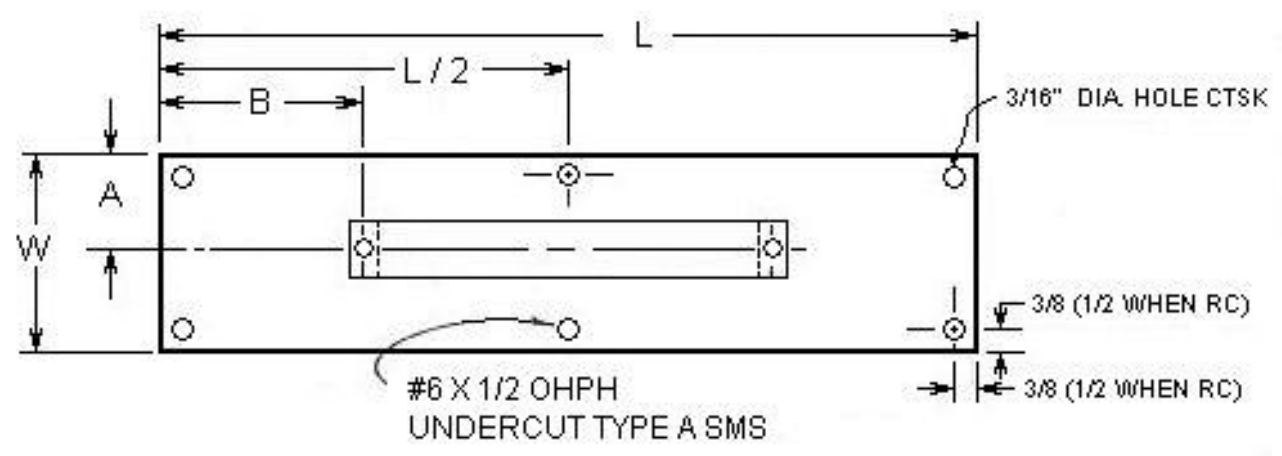


REVISED: 12 - 18 - 86
 REVISED: 3 - 27 - 95
 REVISED: 9 - 21 - 95



1/4-20 X 2-1/4" T.B.
 X #14 FINISH WASHER

NOTE: DO NOT PREDRILL DOOR

PULL PL	PUSH PL.		1015		1015-B	
	W	L	A	B	B	
1015-2	1001-2	3-1/2	15	1-3/4	4-1/2	3-1/2
1015-3	1001-3	4	16	2	5	4

Trimco / BBW
 Triangle Brass Manufacturing Company, Inc.
 3528 Emery Street, P.O. Box 23277
 Los Angeles, CA 90023, USA

1015
 PULL PLATE

DRWN BY: L. R.

DWG NO. 1 1 5 1 1