

3800 Series

Automatic & Semi-Automatic Flush Bolts



3815L SHOWN

Trimco's **3800 Series** Automatic and Semi-Automatic Flush Bolts are engineered to be extremely quiet and ultra efficient requiring very low closing force to secure the door. The patented design contains one third fewer parts with key components constructed of stainless steel creating a flush bolt with higher reliability than the competition. Available for metal or wood doors, the 3800 Series Automatic and Semi-Automatic Flush Bolts are flexible for most any application.

APPLICATIONS

- Offices
- Hospitality
- Multi-Family & Mixed Use
- Commercial & Industrial Buildings

FLUSH BOLTS

PRODUCT FEATURES

- Ultra efficient requiring very low closing force to secure the door
- Steel construction for high reliability and long life
- Low noise level for peace and quiet
- Architectural finishes to match any décor
- Interchangeable trim kits

SPECIFICATIONS

DOORS

Metal or Wood

MATERIAL OPTIONS

BR – Brass

BZ – Bronze

SS – Stainless Steel

STANDARDS

UL Rated - 3hr for Metal Doors,
1-1/2hr for Wood Doors

3850 - 3hr for Metal Doors,
20min for Wood Doors

BHMA 4.4 Type 25

WARRANTY

Lifetime Mechanical &
Limited Finish Warranty

NOTES

Patents #5,076,620 & #5,004,277

FUNCTIONS

3810 Automatic Flush Bolt for Metal Door (UL)

3820 Semi-Automatic Flush Bolt for Metal Door (UL)

3815L Automatic Flush Bolt for Wood Door (UL)

3825L Semi-Automatic Flush Bolt for Wood Door (UL)

3850 Edge Mounted Fire Bolt (UL)

FINISHES

605 Polished Brass

606 Satin Brass, Dull

612 Satin Bronze

613 Oil Rubbed Bronze

629 Polished Stainless Steel

630 Satin Stainless Steel

SPEC Special Options Available

3800 Series

Automatic & Semi-Automatic Flush Bolts

HOW TO SPECIFY & ORDER

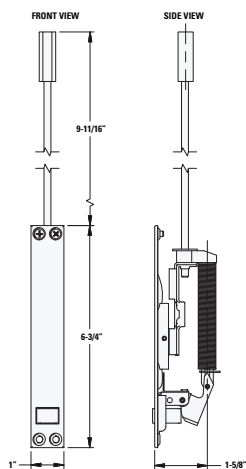
CHOOSE THE FOLLOWING

SERIES	FINISHES
<ul style="list-style-type: none"> • 3810 Automatic Flush Bolt for Metal Door (UL) • 3820 Semi-Automatic Flush Bolt for Metal Door (UL) • 3815L Automatic Flush Bolt for Wood Door (UL) • 3825L Semi-Automatic Flush Bolt for Wood Door (UL) • 3850 Edge Mounted Fire Bolt (UL) 	<ul style="list-style-type: none"> • 605 Polished Brass • 606 Satin Brass, Dull • 612 Satin Bronze • 613 Oil Rubbed Bronze • 625 Polished Chrome • 626 Dull Chrome • 629 Polished Stainless Steel • 630 Satin Stainless Steel SPEC Special Options Available
<p>Can be ordered in pairs as well. For example: 3810x3810 or 3810x3850</p>	

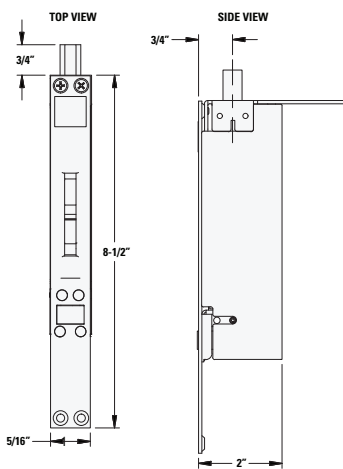
EXAMPLE

For a UL rated Automatic Flush Bolt on a steel door mated with an edge mounted fire bolt in satin stainless steel finish, specify or order: **3810x3850.630**

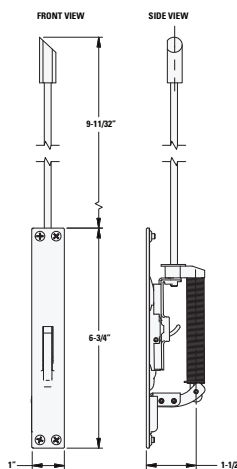
3810 SHOWN



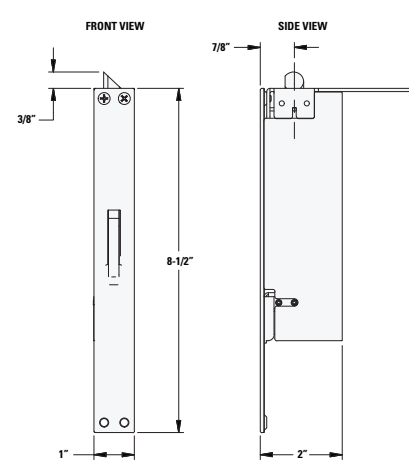
3815L SHOWN



3820 SHOWN



3825L SHOWN



* Dimensions are informational only. Templates are available at www.trimcobbw.com