

3092 Series

Retracting Coordinator



Trimco's **3092 Retracting Arm Door Coordinator** (Retractor[®]) is a modest sized coordinator with a very low profile. The low profile design requires no mounting brackets for stop mounting and goes almost unnoticed when the doors are closed. No mounting brackets are required for stop mounted hardware.

"Retractor" is the copy written trade name for the Retracting Arm Door Coordinator manufactured by Triangle Brass Manufacturing Company.

APPLICATIONS

- Hospitality
- Multifamily & Mixed-Use
- Office Buildings
- Commercial & Industrial Buildings
- Schools

DOOR, WALL & FRAME PROTECTION

PRODUCT FEATURES

- Modest sized coordinator with very low profile.
- Rubber rollers for low noise and low friction.
- Non-handed and stop-mounted.
- Can replace drop-arm units without relocating closers.
- Paintable matte black finish.
- One size works for all equal door pairs between 72" and 96"

SPECIFICATIONS

STANDARDS

BHMA 4.1.1 Type 25

MATERIAL

Steel

WARRANTY

Lifetime Mechanical & Limited Finish Warranty

SPECIAL INSTRUCTIONS

Not recommended for use with exposed, vertical-rod panic devices, nor designed for use with other than conventional butt hinges. For special configurations consult factory.

The longer arm holds the active door open until the shorter arm is depressed by the closing of the inactive door. Both arms retract unobtrusively into the slim steel case mounted to the stop. As long as the inactive leaf remains closed, the active arm remains retracted. For use with or without an astragal. Max astragal gap of 3/4".

FINISHES

| Black | Standard |
|-------|--------------------------------------|
| 606 | Satin Brass - Sprayed to Match |
| 612 | Satin Bronze - Sprayed to Match |
| 613 | Oil Rubbed Bronze - Sprayed to Match |
| 626 | Satin Chrome - Sprayed to Match |
| SPEC | Special Options Available |

3092 Series

Retracting Coordinator

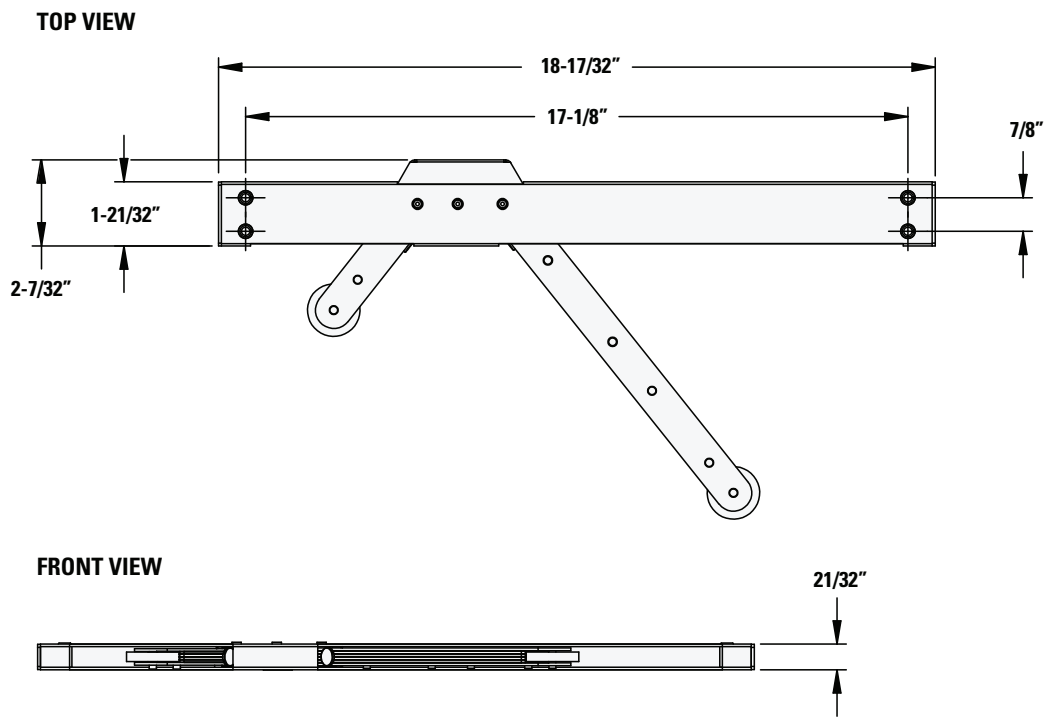
HOW TO SPECIFY & ORDER

CHOOSE THE FOLLOWING

| SERIES | FINISHES |
|--|--|
| <ul style="list-style-type: none"> • 3092 Retracting Coordinator | <ul style="list-style-type: none"> • Black Standard • 606 Satin Brass - Sprayed to Match • 612 Satin Bronze - Sprayed to Match • 613 Oil Rubbed Bronze - Sprayed to Match • 626 Satin Chrome - Sprayed to Match • SPEC Special Options Available |

EXAMPLE

For a retracting coordinator in black, specify or order: **3092.BLACK**



* Dimensions are informational only. Templates are available at www.trimcohardware.com