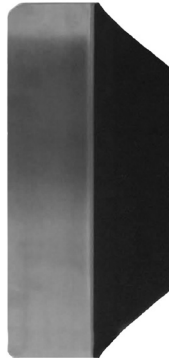


**1096 / 1097 Series**

# Anti-Vandal Pulls



1097HANC SHOWN

A standard in the industry, Trimco **1090 Series** Anti-Vandal Pulls are engineered for the most demanding applications. Made from 1/8" type 316 stainless steel, bronze or brass these pulls are the ideal choice for protecting doors at schools, parks, public buildings and commercial buildings. Trimco's 1090 Series pulls do not have exposed handles or fasteners that can be tampered with and are available to mate different locksets and exit devices for both in swing and out swing doors.

## APPLICATIONS

- Schools
- Prisons
- Commercial & Industrial Buildings
- Government Facilities
- Retail / Strip Malls

## ANTI-VANDAL TRIM

### PRODUCT FEATURES

- 1/8" type 316 stainless steel, bronze or brass construction
- Can be mated to different locksets and exit devices
- Available with or without an astragal

### SPECIFICATIONS

#### STANDARDS

Meets California State  
Prison strength tests

#### WARRANTY

Lifetime Mechanical &  
Limited Finish Warranty

#### MATERIAL OPTIONS

**BR** – Brass  
**BZ** – Bronze  
**SS** – Stainless Steel

#### OTHER NOTES

Patent #354,670

#### PULL STYLES

- 1096HA** Pull with astragal for use with mortise locks and exit devices
- 1097HA** Pull without astragal for use with mortise locks and exit devices
- 1098RG** Pull with astragal for cylindrical locks (pull side)
- 1099RG** Pull without astragal for cylindrical locks (push side)

### FINISHES

- 605** Polished Brass
- 606** Satin Brass, Dull
- 612** Satin Bronze
- 613** Oil Rubbed Bronze
- 630** Satin Stainless Steel
- SPEC** Special Options Available

**1096 / 1097 Series**

# Anti-Vandal Pulls

## HOW TO SPECIFY & ORDER

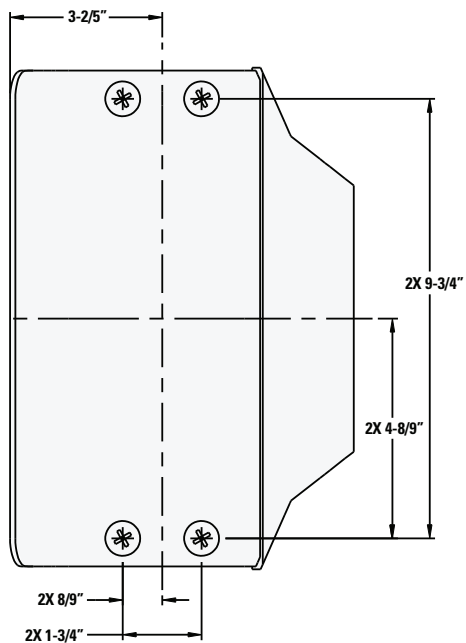
### CHOOSE THE FOLLOWING

SERIES	OPTIONS	FINISHES
<ul style="list-style-type: none"> <li>• <b>1096HA</b> Pull with astragal for use with mortise locks and exit devices</li> <li>• <b>1097HA</b> Pull without astragal for use with mortise locks and exit devices</li> <li>• <b>1098RG</b> Pull with astragal for cylindrical locks (pull side)</li> <li>• <b>1099RG</b> Pull without astragal for cylindrical locks (push side)</li> </ul>	<ul style="list-style-type: none"> <li>• <b>FC</b> – Flush Cylinder</li> <li>• <b>NC</b> – No Cylinder Cutout</li> <li>• <b>SP</b> – Special Prep for different exit devices</li> <li>• <b>BTB</b> – Back to Back</li> </ul>	<ul style="list-style-type: none"> <li>• <b>605</b> Polished Brass</li> <li>• <b>612</b> Satin Bronze</li> <li>• <b>630</b> Satin Stainless Steel</li> <li>• <b>SPEC</b> – Special Finish (See finish list for all options)</li> </ul>

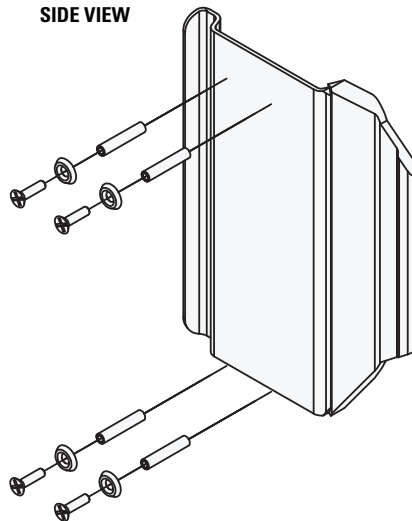
### EXAMPLE

For an anti-vandal pull with astragal to mate with a Precision 2200 Series exit device in satin stainless steel, specify or order **1097SPHA.630**

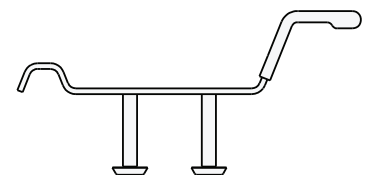
**FRONT VIEW**



**SIDE VIEW**



**TOP VIEW**



\* Dimensions are informational only. Templates are available at [www.trimcobbw.com](http://www.trimcobbw.com)