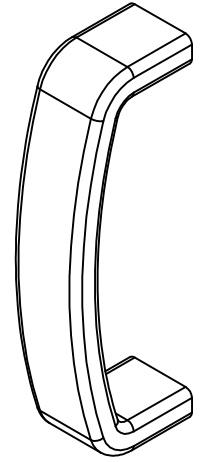
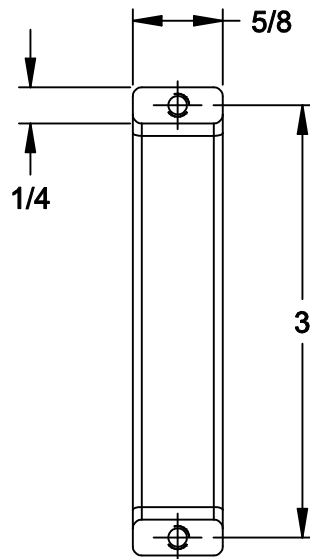
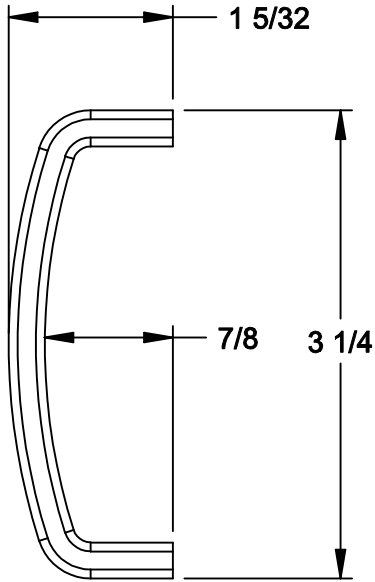
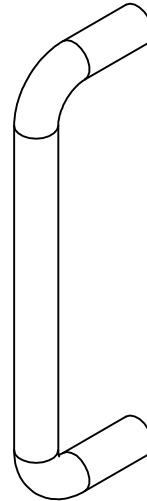
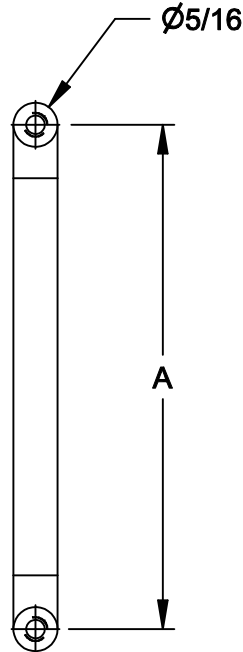
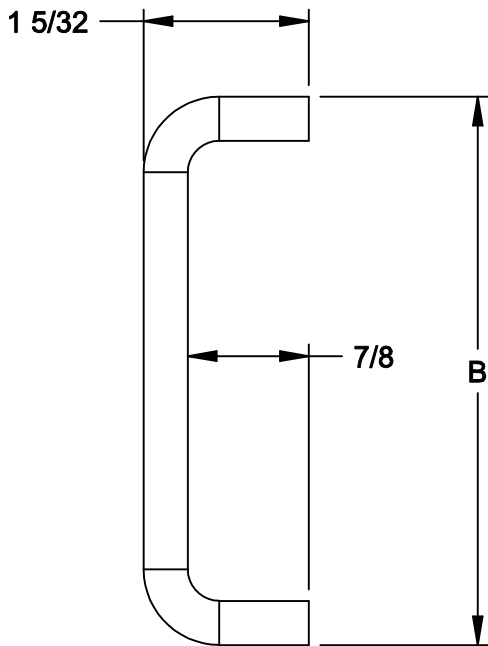


ALL HANDLES SUPPLIED WITH TWO (2) #8-32 X 1 TRUSS HEAD MACHINE SCREWS

553 PULLS



562-3 AND 562-4 PULLS



PART NUMBER	DIM A	DIM B
562-3	3-1/2	3-13/16
562-4	4	4-5/16

NOTE: This template is provided for use only on the job for which it was requested. Trimco reserves the right to make design changes without notice. Trimco will not be responsible for errors or damage caused by the use of out-of-date templates.

DATE

10/23/08