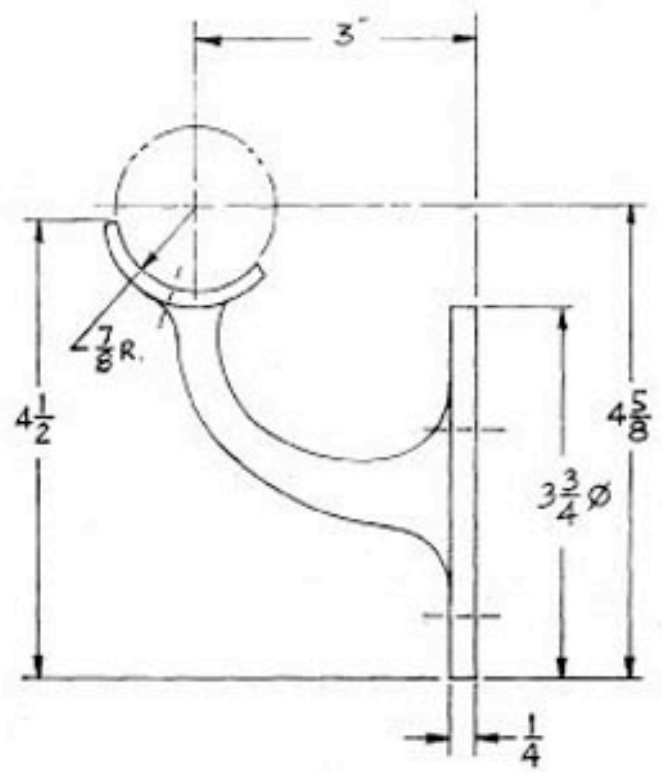
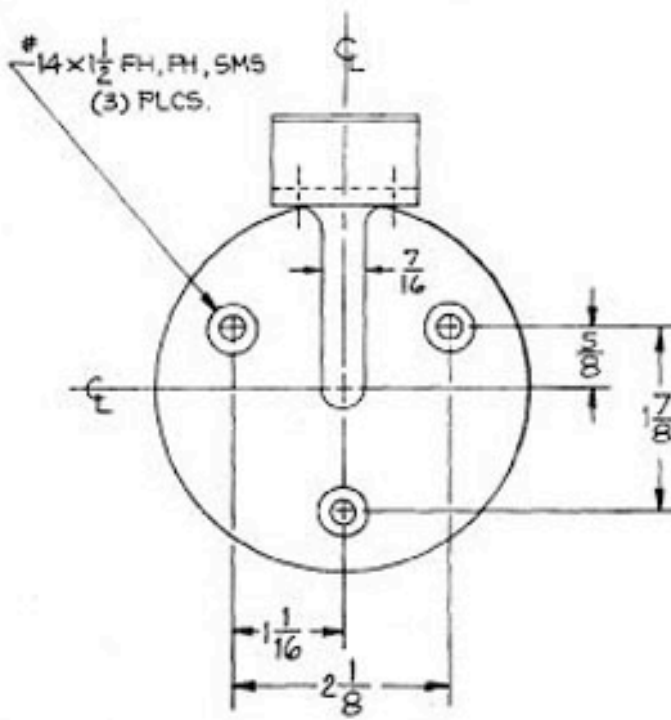
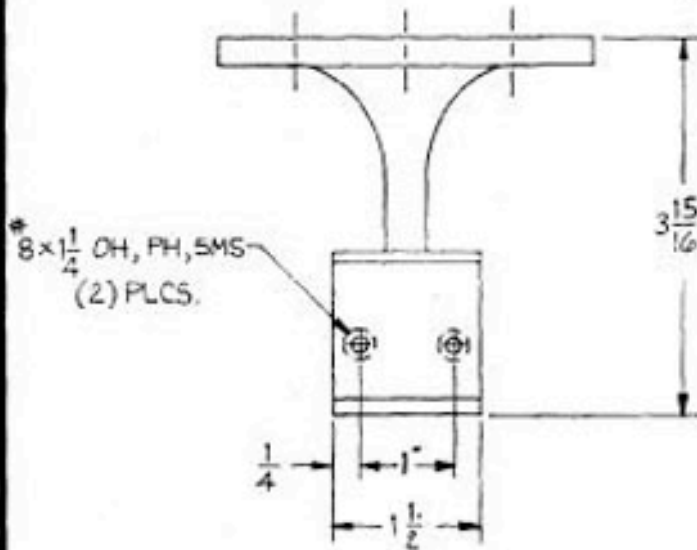


NOTES:

1. DEPENDING ON HANDRAIL DIMENSIONS, SPACER MAY BE REQUIRED TO MEET ADA

REVISIONS

LTR	DESCRIPTION	DATE	CHECKED
—	NEW DWG.	3-6-95	<i>[Signature]</i>
A	ADDED: NOTE 1.	10-5-95	<i>[Signature]</i>



Book No. \_\_\_\_\_ Date Requested: \_\_\_\_\_  
 This template is provided for use only on the job for which it was requested.  
 Trimco/BBW reserves the right to make design changes without notice.

**Trimco / BBW**  
 Triangle Brass Manufacturing Company, Inc.  
 3528 Emory Street, P.O. Box 23277  
 Los Angeles, CA 90023, USA

SCALE \_\_\_\_\_  
 DRAWN BY T.A. 3-6-95

TITLE  
 3406 (BBW #253)  
 HANDRAIL BRACKET  
 PART NO \_\_\_\_\_  
 DWG. NO. 11415