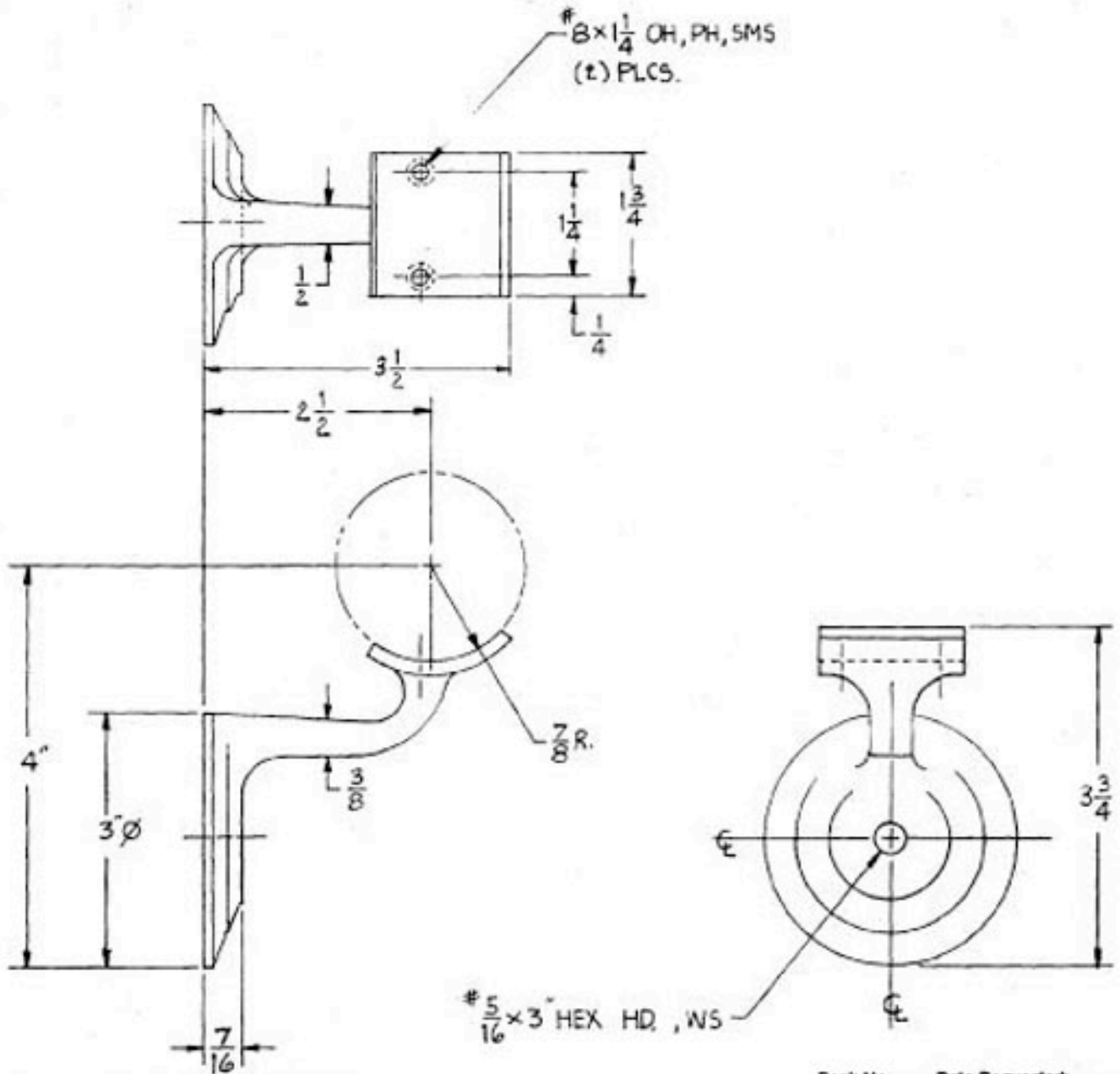


NOTES:

1. DEPENDING ON HANDRAIL DIMENSIONS, SPACER MAY BE REQUIRED TO MEET ADA.

REVISIONS

| LTR | DESCRIPTION | DATE | CHECKED |
|-----|--------------|---------|--------------------|
| — | NEW DWG. | 3-6-95 | <i>[Signature]</i> |
| A | ADDED NOTE 1 | 10-5-95 | <i>[Signature]</i> |



Book No. _____ Date Requested: _____
 This template is provided for use only on the job for which it was requested.
 Trimco/BBW reserves the right to make design changes without notice.

| | |
|------------|---------|
| TRIMCO P/N | BBW P/N |
| 3405 | 258 |
| 3405-1 | 258-1 |

Trimco / BBW
 Triangle Brass Manufacturing Company, Inc.
 3528 Emery Street, P.O. Box 23277
 Los Angeles, CA 90023, USA

| | |
|----------------------|---------------------------------|
| SCALE | TITLE |
| | 3405 3405-1 HANDRAIL BRACKET |
| DRAWN BY T.A. 3-6-95 | PART NO |
| | A DWG. NO. 11414 |